

# HAKU SADDLE

For PE and PVC pipes



## Design features

- For **PE pipes** according to EN 12201 and DIN 8074 and **PVC pipes** according to EN ISO 1452-2
- The HAKU seal is in full contact with the entire diameter of the PE or PVC pipe and is glued onto the saddle for ease of assembly
- Several concentric seals with increasing diameter surround the outlet, relieving pressure exerted upon the drill hole and protects it from deformation
- The protective layer on PE pipes should be removed prior to mounting the saddle
- No. 5250 for drilling without pressure

## Material | Technical features

- 1 **Saddle body** made of ductile iron, epoxy powder coated
- 2 **Seals** made of elastomer
- 3 **Bolts** (Molybdenum-coated) and **washers** made of stainless steel
- 4 **Corrosion protection ring** made of elastomer

## Suitable accessories

**Drilling machine:** No. 5800, No. 5805

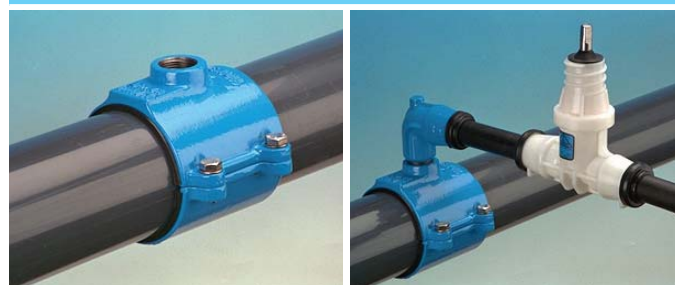
## No. 5250



Order No.	Pipe Ø	MOP (PN)	Internal thread outlet ISO 228			
			1"	1¼"	1½"	2"
5250	40	16				
	50					
	63					
	75					
	90					
	110					
	125					
	140					
	160					
	180					
	200					
	225					
	250					
	280					
	280*					
	315					
	315*					
355*						
400*						
450*						
500*						
630*						

\* Supplied as saddle piece with strap

## Application examples



**E. Hawle Armaturenwerke GmbH** 4840 Vöcklabruck - Austria - Wagrainner Straße 13  
 Tel.: +43 (0) 7672 72576 0 - Fax.: +43 (0) 7672 78464 - E-Mail: hawle@hawle.at - www.hawle.com

I 4/1

# HAKU SADDLE

For PE and PVC pipes

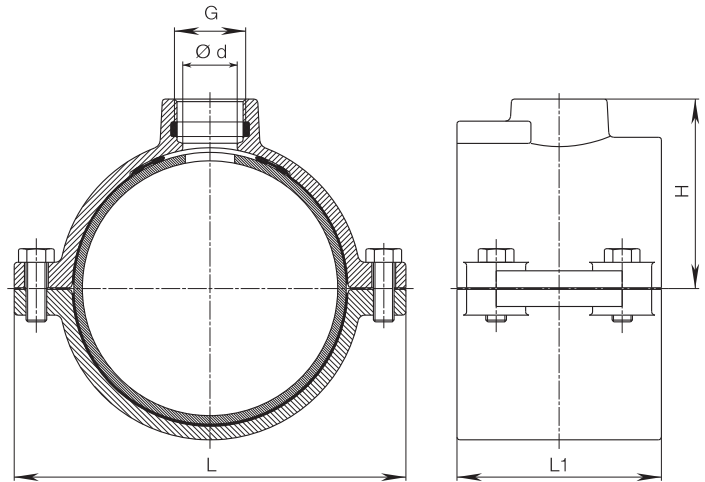


Ø Pipe	G ISO 228	Ø d	H	L	L 1	Weight
40	1"	27	42	98	70	0,95
50	1"	27	56	110	80	1,20
63	1"	27	57	124	100	1,80
	1¼"	33	62			2,00
	1½"	40+	62			1,90
75	2"	40+	68	135	110	2,10
	1"	27	63			2,15
	1¼"	33	68			2,25
90	1½"	40	68	150	110	2,20
	2"	50	73			2,30
	1"	27	71			2,60
110	1¼"	33	75	170	120	2,70
	1½"	40	75			2,60
	2"	50	80			2,70
125	1"	27	81	192	120	3,60
	1¼"	33	85			3,60
	1½"	40	85			3,80
140	2"	50	90	208	120	3,60
	1"	27	87			3,70
	1¼"	33	93			3,70
160	1½"	40	93	230	120	4,15
	2"	50	98			4,10
	1"	27	96			4,40
180	1¼"	33	100	262	120	4,40
	1½"	40	100			4,30
	2"	50	106			4,60
200	1"	27	106	282	120	4,50
	1¼"	33	111			5,90
	1½"	40	111			6,10
225	2"	50	116	310	120	6,30
	1"	27	125			6,20
	1¼"	33	125			8,00
250	1½"	40	127	347	180	8,00
	2"	50	127			8,10
	1"	27	132			8,10
280	1¼"	33	132	408	180	8,10
	1½"	40	137			8,10
	2"	50	137			9,10
315	1"	27	143	488	180	9,10
	1¼"	33	145			9,40
	1½"	40	145			9,70
355	2"	50	150	570	180	9,60
	1"	27	156			11,00
	1¼"	33	156			11,30
400	1½"	40	163	660	180	11,50
	2"	50	163			12,00
	1"	27	176			3,80
450	1¼"	33	176	750	180	3,60
	1½"	40	176			3,60
	2"	50	176			3,30
500	2"	51	178	840	180	14,20
	1"	27	194			3,58
	1¼"	33	194			3,80
550	1½"	40	196	930	180	3,80
	2"	50	196			3,75
	1"	27	204			3,55
600	1¼"	33	204	1020	180	16,70
	1½"	40	243			3,50
	2"	50	243			4,90
630	2"	50	243	1110	120	4,90
	1½"	40	268			4,60
	2"	50	268			4,60
700	1½"	40	292	1200	120	4,90
	2"	50	292			4,90
	2"	50	342			9,50

## No. 5250

Pipe Ø40-315

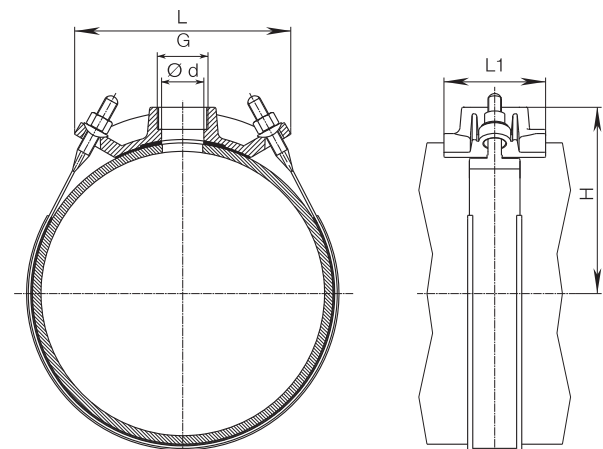
With internal threaded outlet ISO 228, in conjunction with shut-off adapter No. 3720 for under pressure drilling



+ Drilling max. 35

\*Pipe Ø 280-630 (supplied as saddle piece with strap)  
Suitable only for SDR 11 PE pipes or stronger SDR class

With internal threaded outlet ISO 228, in conjunction with shut-off adapter No. 3720 for under pressure drilling



# HAKU PIPE SADDLE

With flanged outlet for PE and PVC pipes



## Design features

- For **PE pipes** according to EN 12201 and DIN 8074 (**SDR 7,4 and SDR 11**) for **PVC pipes** according to EN ISO 1452-2 (**SDR 13,5 and SDR 21**)
- Solid construction of ductile iron epoxy powder coated
- No deformation of the pipe
- The drilled hole is sealed by an O-ring inserted in the upper part of saddle
- The rubber linings are bonded to the lower part of saddle - this ensures positive positioning of saddle (only for d 110 to 315)
- For holes from d 355 to 630 pipes, special drilling machine is available from Hawle
- Flange sized and drilled according to EN 1092-2 | PN 16 other standards on request
- For PE pipes with protective layer, this must be removed prior to mounting the saddle

## Material | Technical features

- 1 **Saddle body** and **segments** made of ductile iron, epoxy powder coated
- 2 **O-ring seal in the bonnet** made of elastomer
- 3 **Rubber in the lower part** of the saddle made of elastomer
- 4 **Bolts and washers** made of stainless steel
- 5 **Nuts** (Molybdenum-coated) made of stainless steel

## Suitable accessories

**Drilling machine for flange outlet DN 80-100:** No. 5807

**No. 5230**



Order No.	Flange DN	MOP (PN)	Ø Pipe														
			110	125	140	160	180	200	225	250	280	315	355	450	500	630	
5230	80	16															
	100																
	150																



**E. Hawle Armaturenwerke GmbH** 4840 Vöcklabruck - Austria - Wagrainner Straße 13  
 Tel.: +43 (0) 7672 72576 0 - Fax.: +43 (0) 7672 78464 - E-Mail: hawle@hawle.at - www.hawle.com

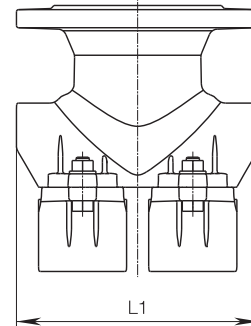
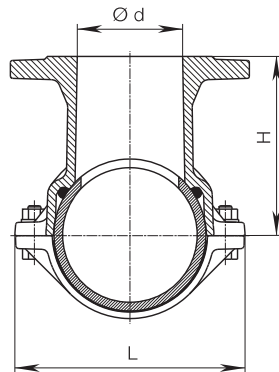
# HAKU PIPE SADDLE

With flanged outlet for PE and PVC pipes

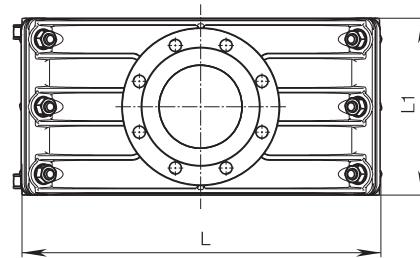
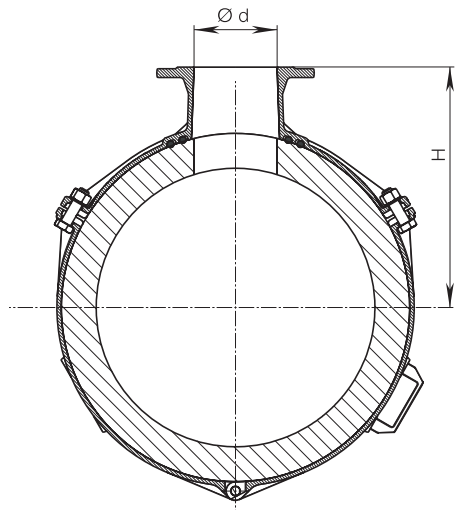


**No. 5230** PE pipes EN 12201 DIN 8074 (SDR 7,4 and SDR 11) d 110-630  
 PVC pipes EN ISO 1452-2 (SDR 13,5 and SDR 21) d 110-315

d 110-315



d 355-630



Ø Pipe	Flange DN	Ø d	H	L	L1	Weight
110	80	80	150	182	180	8,3
125	80	80	159	197	220	8,4
	100	100	159	197	220	9,4
140	80	80	166	212	220	11,8
	100	100	166	212	220	13,3
160	80	80	176	234	220	10,1
	100	100	176	234	220	11,0
180	80	80	186	254	220	11,2
	100	100	186	254	220	12,2
200	80	80	191	270	220	11,8
	100	100	191	270	220	13,8
225	80	80	206	301	220	14,0
	100	100	206	301	220	16,0
250	80	80	221	347	220	15,3
	150	150	225	342	285	19,3
280	150	150	239	374	285	21,0
315	80	80	255	410	285	20,0
	150	150	257	409	285	24,5
355	150	150	298	460	320	36,2
450	150	150	345	475	320	42,0
500	150	150	370	520	320	45,2
630	150	150	435	649	320	50,2

I 4/4



**E. Hawle Armaturenwerke GmbH** 4840 Vöcklabruck - Austria - Wagrainner Straße 13  
 Tel.: +43 (0) 7672 72576 0 - Fax.: +43 (0) 7672 78464 - E-Mail: hawle@hawle.at - www.hawle.com

# HAKU SHUT-OFF SADDLE

For PE and PVC pipes



## Design features

- For **PE pipes** according to EN 12201 and DIN 8074 and **PVC pipes** according to EN ISO 1452-2
- For under pressure drilling
- Can be pressure tested from both directions
- The HAKU seal is in full contact with the entire diameter of the PE or PVC pipe and is glued into the saddle for ease of assembly
- In addition several concentric seals with increasing diameter surround the outlet thus relieving the pressure upon the drill hole and protecting it from deformation
- For PE pipes with protective layer, this must be removed prior to mounting the saddle

## Material | Technical features

- Saddle body** made of ductile iron, epoxy powder coated
  - Seal** made of elastomer
  - Bolts** (Molybdenum-coated) and **washers** made of stainless steel
  - Seal cover** made of POM, with rubber seal, glass fiber reinforced
  - Bolts** and **washers** made of stainless steel
  - Corrosion protection ring** made of elastomer
- Drilling instructions (see page I 3/1)

Ø Pipe	G ISO 228	Ø d	H	L	L1	Weight
63	¾"	24	84	124	100	2,5
	1"	28	84			2,5
	1¼"	32	87			2,4
75	1"	28	91	135	110	2,8
	1¼"	32	94			2,6
	1½"	43	91			3,3
	2"	43	95			3,0
90	1"	28	100	150	110	3,0
	1¼"	32	103			2,5
	1½"	43	101			3,6
	2"	43	105			3,4
110	1"	28	110	170	120	3,6
	1¼"	32	113			3,6
	1½"	43	113			4,3
	2"	43	117			4,0
160	1"	28	138	230	120	5,5
	1¼"	32	141			5,4
	1½"	43	140			5,6
	2"	43	145			5,6

125	1"	27	167	192	120	4,8
	1¼"	31	170			5,5
	1½"	37	180			5,8
	2"	42	183			5,8
140	1"	27	174	208	120	5,4
	1¼"	31	177			5,9
	1½"	37	188			6,2
	2"	42	191			6,2
200	1"	27	212	282	120	7,0
	1"	27	219			10,5
225	1¼"	31	222	310	120	11,0
	1½"	37	232			11,3
	2"	42	235			12,0
250	2"	50	248	347	180	14,2

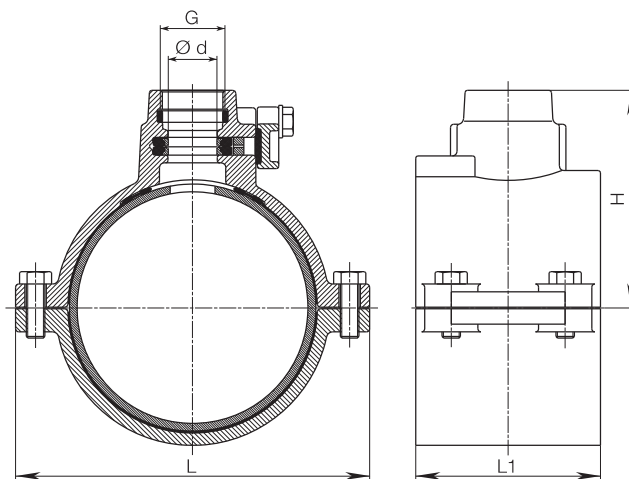
## No. 5310



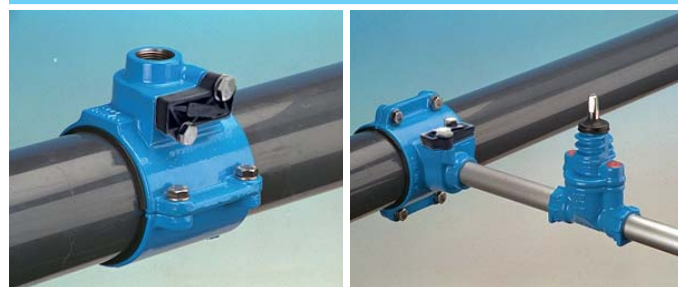
Ø Pipe	MOP (PN)	Internal thread outlet ISO 228				
		¾"	1"	1¼"	1½"	2"
63	16					
75						
90						
110						
160						

**No. 5210** Combined assembly: HAKU saddle No. 5250 with shut-off adapter No. 3720

125	16					
140						
200						
225						
250						



## Application examples



**E. Hawle Armaturenwerke GmbH** 4840 Vöcklabruck - Austria - Wagrain Straße 13  
Tel.: +43 (0) 7672 72576 0 - Fax.: +43 (0) 7672 78464 - E-Mail: hawle@hawle.at - www.hawle.com

I 5/1

# SHUT-OFF ADAPTER

For saddle



## Design features

- Drilling under pressure with the shut-off system that has been tried and tested for decades
- This shut-off adapter can be used for under pressure drilling with every type of standard saddle
- Note: The external thread is one size larger than the internal threaded outlet, except on the 2" size, this to provide greater strength
- Cover shut-offs with internal thread are fitted with a corrosion protection ring to prevent corrosion and incrustation
- All external threads must be protected according to standard occupational procedure

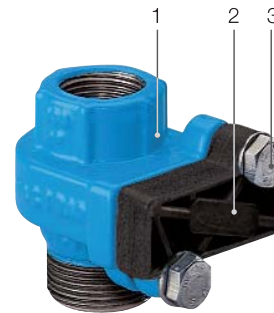
## Material | Technical features

- 1 **Body** made of ductile iron, epoxy powder-coated
  - 2 **Seal cover** made of POM, with rubber seal, fibre glass reinforced
  - 3 **Bolts and washers** made of stainless steel
- **Seal** and **corrosion protection ring** made of elastomer
  - Drilling instructions (see page I 3/1)

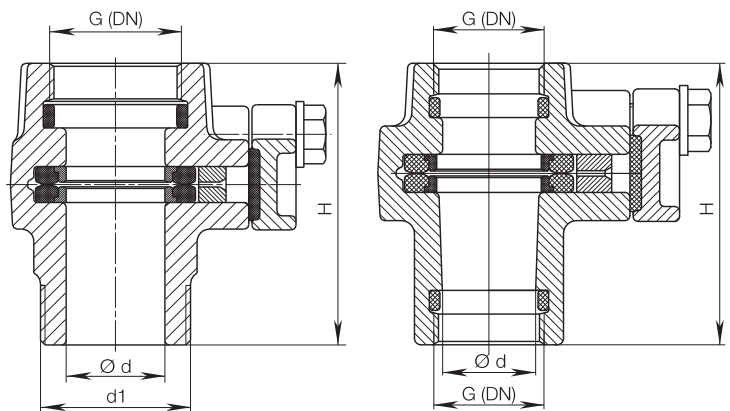
## Suitable accessories

**Drilling machine:** No. 5800, No. 5805  
**Saddle blade** No. 8401

## No. 3720



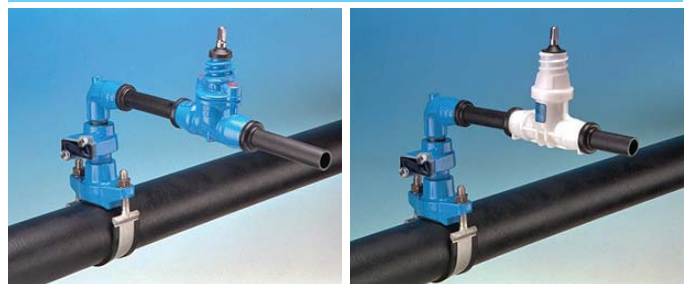
Order No.	MOP (PN)	Internal thread ISO 228	External thread EN 10221-1	Internal thread ISO 228
3720	16	1"	1 1/4"	
		1"		1"
		1 1/4"	1 1/4"	
		1 1/4"	1 1/2"	
		1 1/2"	2"	
		2"	2"	



\* Both ends internal thread ISO 228

G (DN) ISO 228	d1 EN 10226-1	H	Ø d	Weight
1"	1 1/4"	85	27	1,1
1"*		85	27	1,1
1 1/4"	1 1/4"	90	27	1,4
1 1/4"	1 1/2"	90	31	1,3
1 1/2"	2"	95	37	1,7
2"	2"	100	42	1,8

## Application examples



I 5/2



**E. Hawle Armaturenwerke GmbH** 4840 Vöcklabruck - Austria - Wagrainstraße 13  
 Tel.: +43 (0) 7672 72576 0 - Fax.: +43 (0) 7672 78464 - E-Mail: hawle@hawle.at - www.hawle.com