

SERVICE VALVE

With internal thread



Design features

- Resilient seated gate valve with smooth straight-through bore
- Internal thread ISO 228
- Service valve with internal thread are fitted with a corrosion protection ring to prevent corrosion
- **No. 2510:** Bonnet is screwed and glued to the body. To unscrew, the thread must be heated

Standard version: without handwheel and extension spindle

Special versions: on request

Material | Technical features

- **Body and bonnet:**
No. 2500 made of ductile iron, epoxy powder coated
No. 2510 made of brass

Suitable accessories

Suitable accessories: see page J 1/2

Handwheel:		No. 7800
Extension spindle:	rigid	No. 9101
	telescopic	No. 9601
Surface box:	rigid	No. 1550, No. 1650
	telescopic:	No. 1850, No. 1851K
Spindle extension:		No. 7820
Sealing cap:		No. 2156, No. 2157, No. 2158

No. 2500

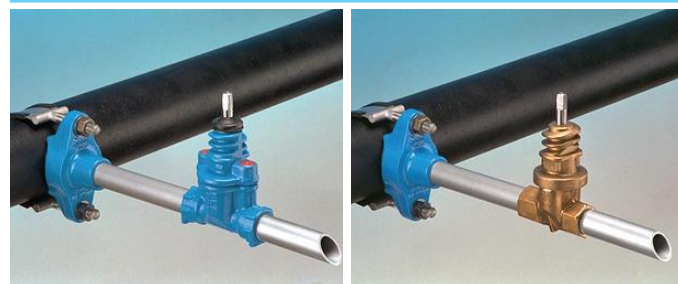


No. 2510



Order No.	Version	MOP (PN)	Dimensions/DN				
			3/4"	1"	1 1/4"	1 1/2"	2"
2500	Ductile iron, epoxy powder coated internal threads both ends ISO 228	16					
2510	Brass, internal thread both ends ISO 228						

Application examples

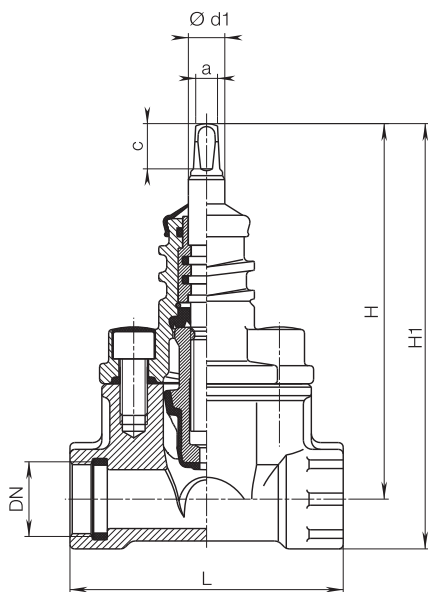


E. Hawle Armaturenwerke GmbH 4840 Vöcklabruck - Austria - Wagrainner Straße 13
Tel.: +43 (0) 7672 72576 0 - Fax: +43 (0) 7672 78464 - E-Mail: hawle@hawle.at - www.hawle.com

J 4/1

SERVICE VALVE

With internal thread

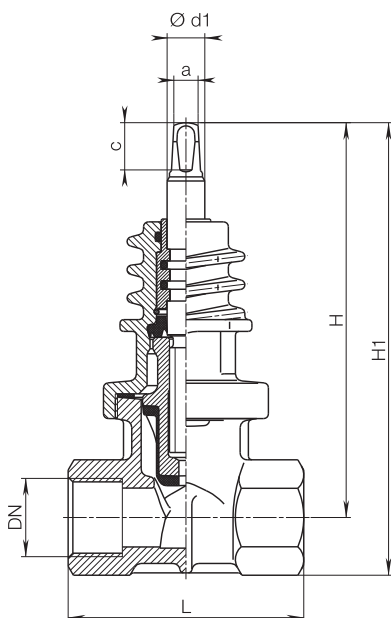


Service valves

Internal thread both ends ISO 228

No. 2500

DN	Valve			Spindle			Weight
	L	H	H1	a	c	Ø d1	
¾"	120	164	185	10,3	20	16	2,20
1"	120	164	188				2,28
1¼"	140	200	229				3,53
1½"	140	200	232				3,70
2"	150	219	258				4,40



Service valves, brass

Internal thread both ends ISO 228

No. 2510

DN	Valve			Spindle			Weight
	L	H	H1	a	c	Ø d1	
1"	100	161	182	10,3	20	16	1,90
1¼"	100	194	223				2,60
1½"	100	194	223				2,81
2"	100	219	256				4,00

J 4/2



E. Hawle Armaturenwerke GmbH 4840 Vöcklabruck - Austria - Wagrainstraße 13
 Tel.: +43 (0) 7672 72576 0 - Fax: +43 (0) 7672 78464 - E-Mail: hawle@hawle.at - www.hawle.com