

# SERVICE VALVE

With ISO-fitting for PE pipe both ends



## Design features

- Resilient seated gate valve with smooth straight-through bore
- For PE pipes according to EN 12201 and DIN 8074 | up to PN16; up to 30° C medium temperature
- **No. 2630: Sealing system:** the contact between wedge and body is friction free. Therefore no scuffing or abrasion of the wedge
- All parts made of corrosion free materials
- Maximum spindle torque: 80 Nm
- Technical details ISO-fitting see page K 3/1

**Standard version:** without handwheel and extension spindle

**Special versions:** on request

## Suitable accessories

**Suitable accessories:** see page J 1/2

Handwheel:		No. 7800
Extension spindle:	rigid	No. 9101
	telescopic	No. 9601
Surface box:	rigid	No. 1550, No. 1650
	telescopic:	No. 1850, No. 1851K
Spindle extension :	No. 7820	
Sealing cap:	No. 2156, No. 2157, No. 2158	
Chamfering tool:	No. 6000	
Saddle blade:	No. 6010	
Pipe cutter:	No. 6050	
Mounting spray:	No. 3443	

## No. 2600



## No. 2630



Order No.	Version	MOP (PN)	Dimensions/DN					
			1/2"	3/4"	1"	1 1/4"	1 1/2"	2"
2600	Made of ductile iron	16						
2630	Made of POM							

Both valves can be adapted for PVC pipe with carborundum grip ring at extra cost

## Application example



**E. Hawle Armaturenwerke GmbH** 4840 Vöcklabruck - Austria - Wagrainstraße 13  
Tel.: +43 (0) 7672 72576 0 - Fax: +43 (0) 7672 78464 - E-Mail: hawle@hawle.at - www.hawle.com

**J 5/1**

# SERVICE VALVE

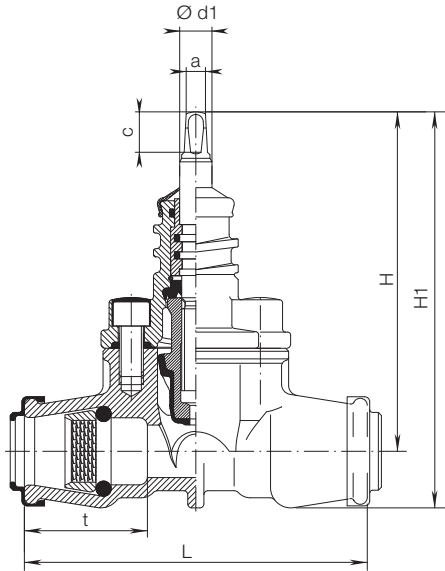
With ISO-fitting for PE pipe both ends



## Service valve, ductile iron

ISO-fitting for PE pipe both ends

### No. 2600

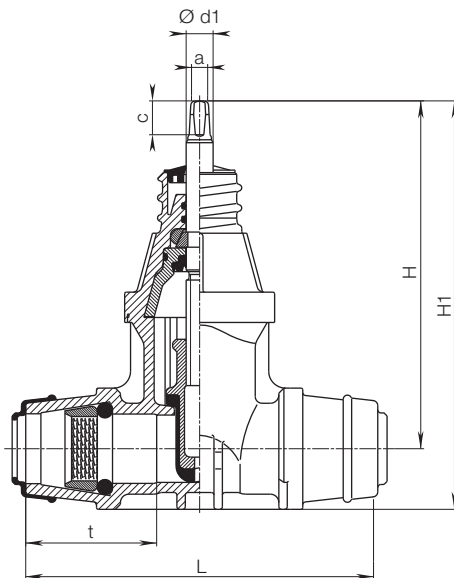


DN	Ø pipe ext.	Valves				Spindle			Weight
		t	L	H	H1	a	c	Ø d1	
¾"	25	52	165	164	187	10,3	20	16	2,30
1"	32	61	170	164	192				2,33
1¼"	40	76	220	200	235				4,00
1½"	50	91	232	200	240				4,10
2"	63	103	270	219	267				7,00

## Service valve, POM

ISO-fitting for PE pipe both ends

### No. 2630



DN	Ø pipe ext.	Valves				Spindle			Weight
		t	L	H	H1	a	c	Ø d1	
½"	20	43	125	178	200	10,3	20	16	0,85
¾"	25	52	152	177	205				0,85
1"	32	63	174	177	205				0,95
1¼"	40	78	208	205	241				1,50
1½"	50	92	246	205	247				1,65
2"	63	100	261	221	271				2,10

J 5/2



E. Hawle Armaturenwerke GmbH 4840 Vöcklabruck - Austria - Wagrain Straße 13  
Tel.: +43 (0) 7672 72576 0 - Fax: +43 (0) 7672 78464 - E-Mail: hawle@hawle.at - www.hawle.com