

# EXTENSION SPINDLES

Rigid or telescopic



## Design features

- One extension spindle for several dimensions
- Threaded connection for attachment to the service valve
- No additional fixing (bolt/pin) necessary

Order No.	Version	Pipe cover (RD)	¾" - 2"
9101	rigid	0,75 m	
		1,00 m	
		1,25 m	
		1,50 m	
		2,00 m	
9601	telescopic	2,50 m	
		0,60 - 0,80 m	
		0,80 - 1,20 m	
		1,00 - 1,60 m	
		1,30 - 1,80 m	
		2,00 - 2,50 m	
		2,50 - 3,50 m	

## Suitable accessories

- **Extender for rigid spindle**  
**Order no. 7830** price for first meter  
**Order no. 7831** price for each additional half meter
- Please specify dimensions and length when ordering

## Design features

- One extension spindle for several dimensions

Order No.	Version	Pipe cover (RD)	Dimension/DN			
			Hawle-Elypso valve			
			50-80	100/125	150	200
9000A	rigid	1,00 m				
		1,50 m				
9500A	telescopic	1,30 - 1,80 m				
		1,35 - 1,80 m				
		1,40 - 1,80 m				
		1,80 - 2,50 m				
		2,00 - 2,50 m				
		2,50 - 3,50 m				

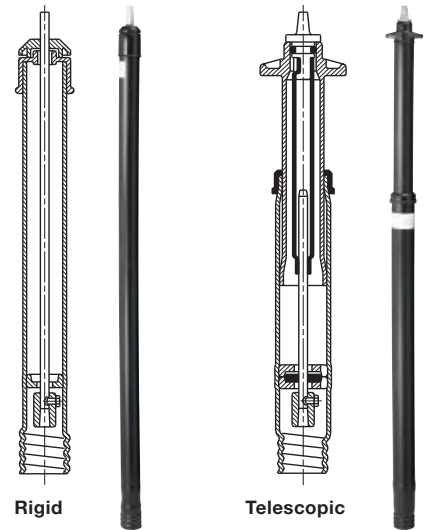
## Extension spindle for service valves with threaded connection for spindle DN ¾" – 2"

**No. 9101**

Rigid

**No. 9601**

Telescopic



Rigid

Telescopic

## Extension spindle for Hawle-Elypso valves DN 50-200

**No. 9000A**

Rigid

**No. 9500A**

Telescopic



Rigid

Telescopic

DN 50 - 200



**E. Hawle Armaturenwerke GmbH** 4840 Vöcklabruck - Austria - Wagrainstraße 13  
 Tel.: +43 (0) 7672 72576 0 - Fax: +43 (0) 7672 78464 - E-Mail: hawle@hawle.at - www.hawle.com

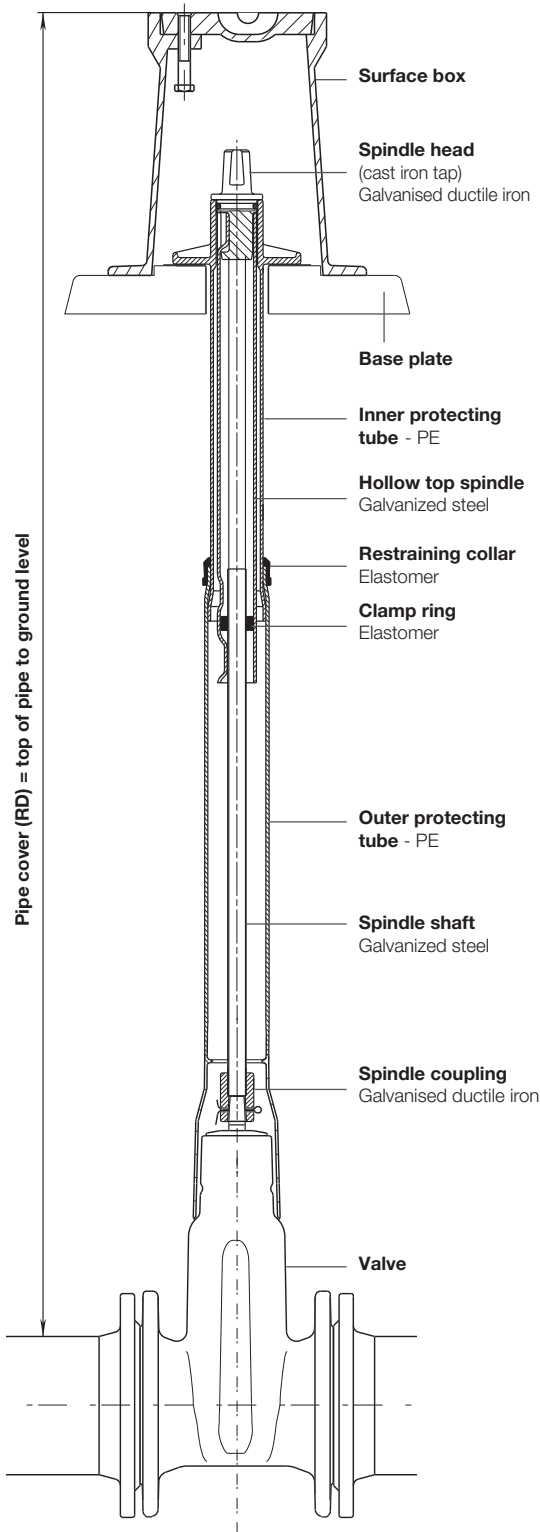
**M 2/3**

# EXTENSION SPINDLES

Rigid or telescopic



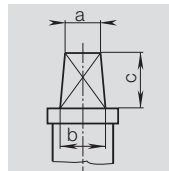
No. 9101 / 9601  
No. 9000A / 9500A



All extension spindle dimensions and types (rigid or telescopic) are protected against dirt and surface water.

The telescopic extension spindle can be progressively adjusted to ground level. This is done by pushing or pulling the protecting tube and the spindle shaft. The telescopic effect protects the pipe and fitting from surface impact.

## Spindle head | square



for service valves

a 13 mm  
b 15 mm  
c 24 mm

for gate valves

a 27 mm  
b 32 mm  
c 48 mm

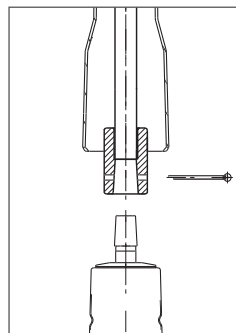
## Weight of extension spindle for Elypso valves

DN 50	Pipe cover (RD)	Weight
9101	1,00 m	3,30
	1,50 m	5,30
9601	1,30 - 1,80 m	6,90

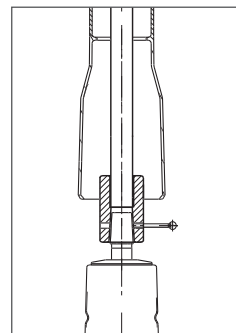
## Weight of extension spindle for Hawle-A valves

Version	Order No.	Pipe cover (RD)	Dimension/DN					
			50/65	80	100/125	150	200	250-300
rigid	9000A	1,00 m	3,30	3,20	3,30	3,00	2,80	
		1,50 m	5,30	5,30	5,30	5,00	4,80	
telescopic	9500A	1,30 - 1,80 m	6,80	6,80	6,80	6,50		
		1,35 - 1,80 m					6,30	
		1,40 - 1,80 m						7,00
		1,80 - 2,50 m						10,10
		2,00 - 2,50 m	9,40	9,40	9,50	9,20	9,00	
		2,50 - 3,50 m		12,90	12,90	12,40	12,50	14,70

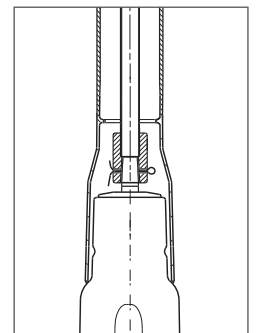
## 9000A / 9500A assembly instructions



Slide back outer protecting tube, remove split pin



Place extension spindle shaft over valve spindle



Slide outer protecting tube over gate valve housing

Illustration: Hawle-A extension spindle "telescopic", DN 80-200

M 2/4



E. Hawle Armaturenwerke GmbH 4840 Vöcklabruck - Austria - Wagrainstraße 13  
Tel.: +43 (0) 7672 72576 0 - Fax: +43 (0) 7672 78464 - E-Mail: hawle@hawle.at - www.hawle.com