

SURFACE BOX

"Telescopic" made of plastic



Design features

- Adjustable height enables fixation of street cover at the desired level
- Cap remains standing on the road surface during work
- 4° Angular offset possible, depending on level of extension
- Less hands on work during road construction
- Homogenous connection with the tarmac, minimizing frost damage
- Quiet, no rattling of street cover
- Low maintenance (no rust problems, application of grease not necessary)
- Low weight
- No loose parts
- High stability, pressure load according to DIN 3580
- Extremely durable glass fibre construction
- Temperature invariant between: -20°C up to 245°C
- DVGW certified

Accessories: see overleaf

Material | Technical features

- **Coverlid** made of grey cast iron, bituminised
- **Surface box body** made of polyamide 66 with 30% fibre glass
- **Safety pin** made of stainless steel

Order No.	Version	Weight	
1851K	For service valves DIN 4057	4,3	
2051K	For gate valves, DIN 4056	6,8	
1950K	For below ground hydrants DIN 4055	17,8	

Progressively height adjustable

No. 1851K



No. 2051K



No. 1950K



E. Hawle Armaturenwerke GmbH 4840 Vöcklabruck - Austria - Wagrainstraße 13
 Tel.: +43 (0) 7672 72576 0 - Fax: +43 (0) 7672 78464 - E-Mail: hawle@hawle.at - www.hawle.com

M 3/1

SURFACE BOX

"Telescopic" made of plastic



Assembly instructions

New road construction

Warning:

To avoid damage, surface boxes must be installed only after laying the gravel

- Lay and compact the gravel
- Position and align the surface box
- Mark location of surface box at the roadside
- Spray the surface box with a releasing agent
- Lay the bitumen binder on the ground
- Pull the surface box top approximately 2 cm above the ground and fill the surrounding base space with tarmac.
- Clean and free the surface box cover from all foreign material

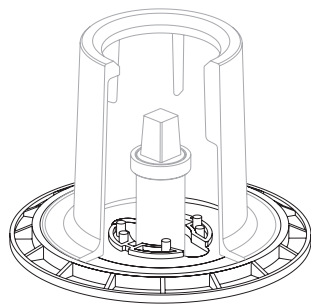
Replace wearing surface

- Mark position of the surface box body at the roadside, spray box with a releasing agent
- Apply the tarmac layer
- Pull the surface box approximately 2 cm above the final tarmac layer. Fill the space with tarmac
- Clean cover of surface box from all foreign material
- Roll the tarmac surrounding the surface box
- Immediately loosen and clean the surface box and cap

Suitable accessories

- **Base plate** made of recycled-plastic

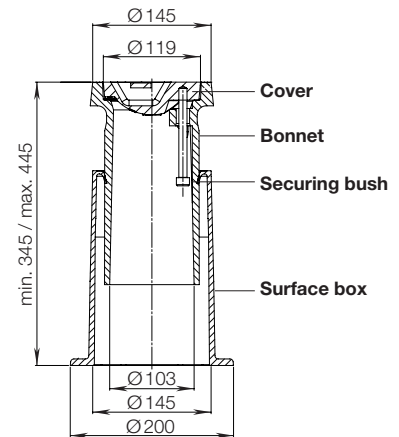
Robust and stable
Easy assembly
Low weight
Non-degradable



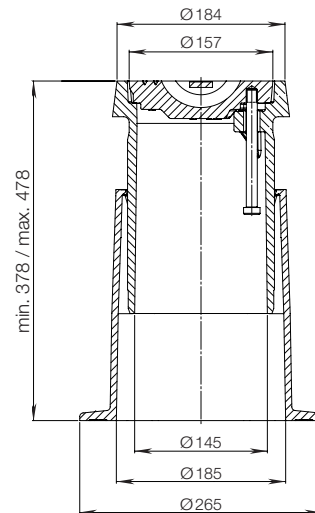
Order No.	Suitable for surface box acc. to	Weight
3481	Valve DIN 4056 and service valves DIN 4057	0,6
3482	DIN 4055 for below ground hydrants	2,0

see page M 3/7

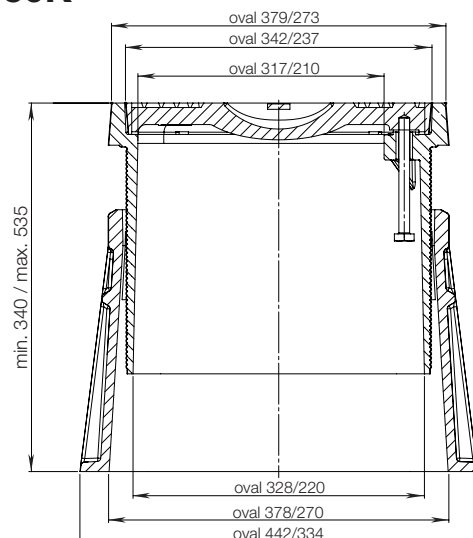
No. 1851K



No. 2051K



No. 1950K



M 3/2



E. Hawle Armaturenwerke GmbH 4840 Vöcklabruck - Austria - Wagrainner Straße 13
Tel.: +43 (0) 7672 72576 0 - Fax: +43 (0) 7672 78464 - E-Mail: hawle@hawle.at - www.hawle.com