

# SURFACE BOX

## "Telescopic", of ductile iron



Order No.	Model for:	Version	Material	Weight
1850	Service valves	Complete box, without extension rings	Bitumen coated grey iron	7,0
2050	Valves und Combi-T			12,2

Height adjustable Surface Box to DIN see page M 3/5



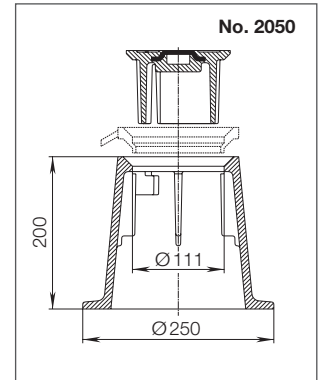
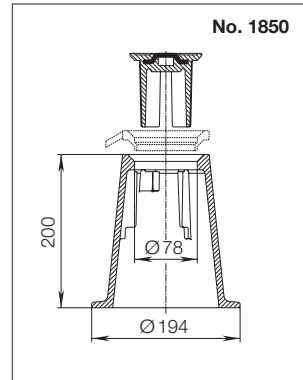
Max. load 200 kN

### Surface box telescopic

**with extension rings to adjust to ground level!**

The cylindrical guide combined with machined conical seating results in tight and noiseless fitting of the lid.

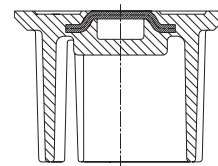
The design enables the lid to be easily removed.



#### Suitable accessories | Spare parts

- Lid for adjustable surface boxes** of bitumen coated grey iron

Order No.	For surface box	Weight
1860	No. 1850	1,30
2060	No. 2050	2,65



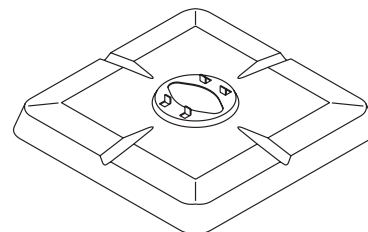
- Extension rings** of bitumen coated grey iron adjusting to ground level with extension ring

Order No.	For tele surface box	High Weight					
		12	15	20	30	40	50
2030	No. 1850	0,50	0,70	0,90	1,10	1,50	1,20
2040	No. 2050		1,00	1,40	2,00	2,70	3,50



- Base plate**  
of stamped, galvanized sheet steel  
Measurement: 360 mm x 360 mm

Order No.	For surface box	Weight
3480	No. 1550, 1650, 1850	1,70
3490	No. 1750, 2050	1,70



M 3/4



**E. Hawle Armaturenwerke GmbH** 4840 Vöcklabruck - Austria - Wagrain Straße 13  
Tel.: +43 (0) 7672 72576 0 - Fax: +43 (0) 7672 78464 - E-Mail: hawle@hawle.at - www.hawle.com