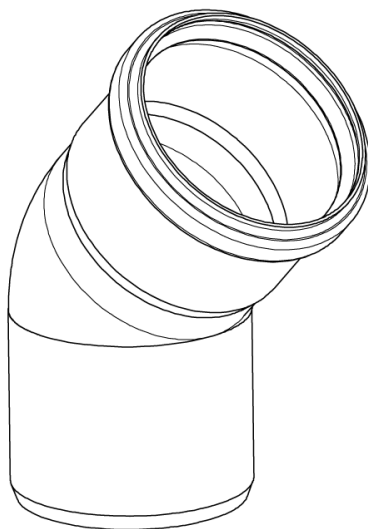
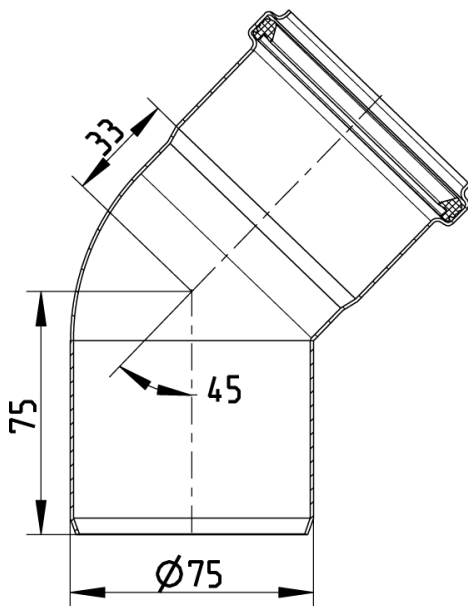


BØJNING 45°, Ø75MM
- Rustfrit stål: AISI304/EN1.4301



| | | | |
|----------|---------------|------------------|-----------|
| Typenr.: | 820.045.075 | Produkttype: | Bøjninger |
| EAN nr.: | 5705499401325 | Udløbsdia. (mm): | 75 |
| VVS nr.: | 160205075 | Vinkel (°): | 45 |
| RSK nr.: | 1550090 | Vægt (kg): | 0,30 |
| NRF nr.: | 2170055 | Materiale: | AISI 304 |
| LVI nr.: | 0240683 | Materiale: | EN 1.4301 |

Godkendelser

ABS - 04-LD472768/3
 Achilles - 25316-17
 AUS - WMKT00204 - 18
 Bureau Veritas - 02375-G0
 DE - LGA Certificate 57214035 a
 DK - VA 2.12/19349-16
 DNV - TAP0000023-rev1
 Lloyds Register 92-00041 (E6)
 MARINE - R4547 NATO CODIFICATION SYSTEM
 NO - 0692-12
 PL - Hygienic Certificate - All products
 RINA - MAC128714XG EuroPipe
 RS - 14.10112.262
 RU - 1682258
 SE - SITAC 4423/90
 UR - 1055745
 US - IAPMO File No.3247-16