

Bends

BPKL/BPKFL-90



Description

BPKL - pressed short bend, seam-welded, with biddings, safe edges and EPDM gasket
 BPKFL - pressed short bend female - male, seam-welded, with biddings, safe edges and EPDM gasket.
 Ideal for valve mounting frames RM and RML.
 Pressed bends requires less installation space.

Example identification

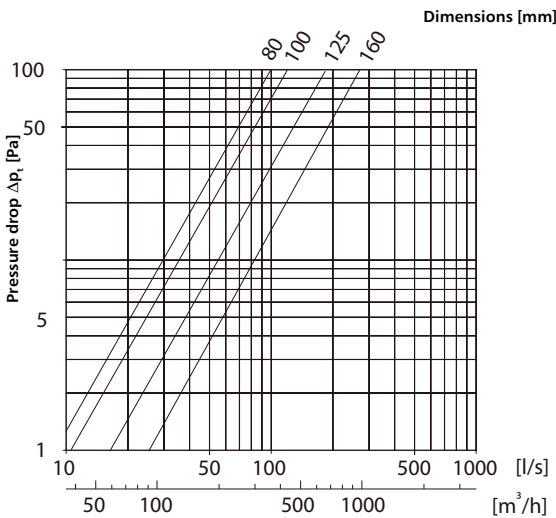
Product code: **BPKL - aaa - 90**

type

Ød₁

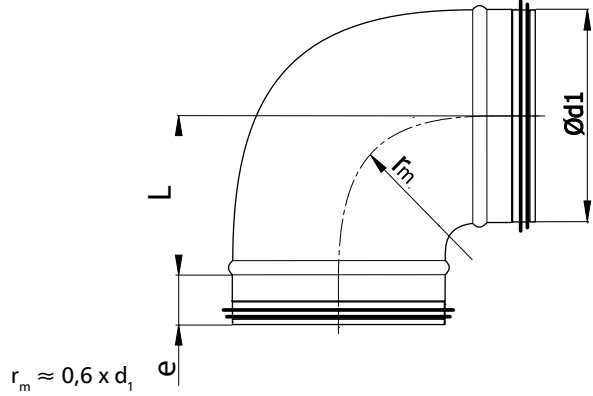
°

Technical Data

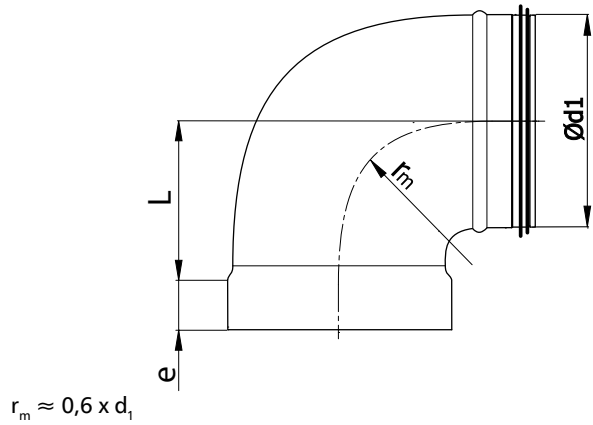


Dimensions

BPKL



BPKFL



Ød ₁ nom [mm]	L [mm]	e [mm]	weight [kg]
80	52	36	0,2
100	62	36	0,3
125	75	36	0,4
150	87	36	0,5
160	92	36	0,6
200	112	36	0,8