

Bends

# BPL-45



## Description

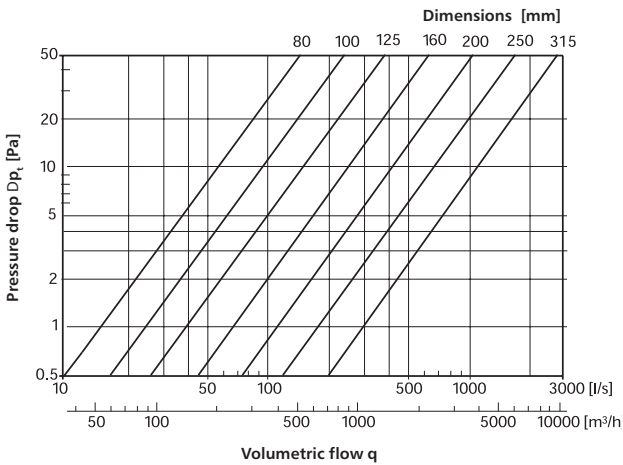
BPL – pressed bend. Seam-welded and calibrated with double EPDM gasket.

### Example identification

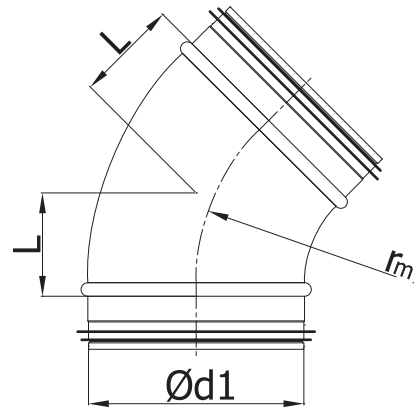
Product code: **BPL - aaa - 45**

type \_\_\_\_\_  
 $\text{Æ}d_1$  \_\_\_\_\_  
 ° \_\_\_\_\_

## Technical Data



## Dimensions



$r_m \gg 1 \times d_1$

$\text{Æ}d_1$ rated [mm]	L [mm]	weight [kg]
80	41	0,2
100	41	0,3
125	52	0,4
140	56	0,4
150	62	0,6
160	66	0,6
180	75	0,7
200	83	0,9
250	104	1,3