

Bends

BPL/BP-30



Description

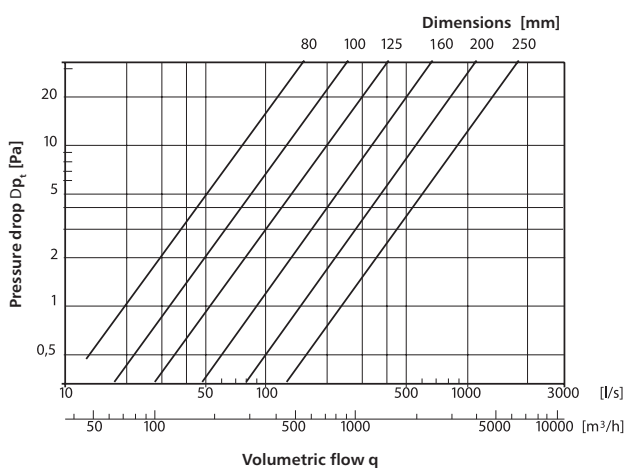
BPL – pressed bend, seam-welded and calibrated, with double EPDM gasket.
 BP – pressed bend, seam-welded and calibrated, without gasket.

Example identification

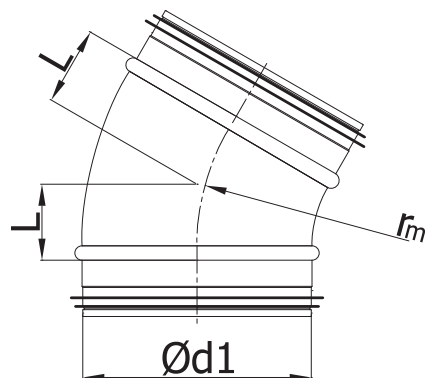
Product code: **BPL - aaa - 30**



Technical Data



Dimensions



$r_m \gg 1 \times d_1$

| $\text{\AA}d_1$ rated [mm] | L [mm] | weight [kg] |
|-------------------------------|-----------|----------------|
| 80 | 27 | 0,2 |
| 100 | 27 | 0,3 |
| 125 | 33 | 0,3 |
| 140 | 36 | 0,4 |
| 150 | 40 | 0,4 |
| 160 | 43 | 0,5 |
| 180 | 48 | 0,6 |
| 200 | 54 | 0,7 |
| 250 | 67 | 1,4 |