

# Airtight shutoff dampers with actuator mounting

## DATML/DATM



### Description

Dampers with actuator mounting are available in diameters of Ø80 to Ø630 mm, including intermediate sizes. The actuator mounting is designed to enable cladding with up to 50 mm thick insulation.

The standard version permits a lengthwise actuator orientation

For fast assembly of actuators, we recommend specially designed DA-SUP-S and DA-SUP-M mounting plates.

Actuators matching DA-SUP-S mounting plate	Actuators matching DA-SUP-M mounting plate
Alnor DM-LM-06	Alnor DM-LM-06
Belimo CM	Alnor DM-LM-08
Belimo LM	Belimo CM
	Belimo NM

**NOTE!** DA-SUP mounting plates are available only in lengthwise version!

The standard version permits a lengthwise actuator orientation. The DATML/DATM dampers are a good choice when the ductwork closure must be airtight. The opening angle can be fixed with a mechanical limiter installed directly on the actuator. The damper closure can be deflected by up to 2 cm when the air pressure exceeds 2,000 Pa. For outdoor installations, the actuator must be protected from UV light and weather. All dampers can be provided with various types of actuators on request.

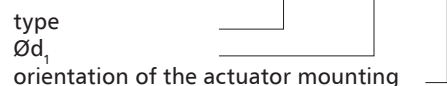
**DATM** — airtight shutoff damper with actuator mounting  
**DATML** — airtight shutoff damper with gaskets at flanges and actuator mounting

#### Available materials — Product code examples

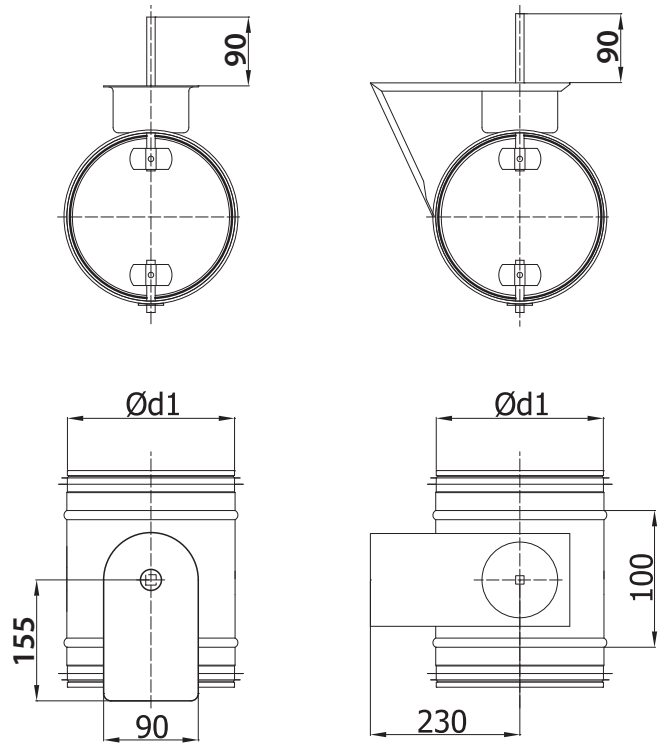
DATML-... — galvanized steel sheet

#### Product code example

Product code: **DATML - aaa - bbb**



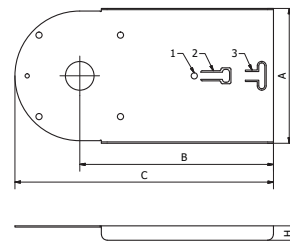
### Dimensions



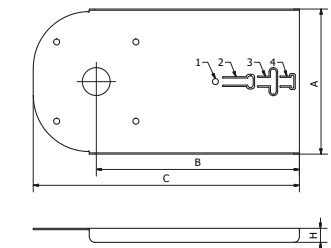
Standard: lengthwise actuator orientation

P — crosswise actuator orientation

#### DA-SUP-S mounting plate



#### DA-SUP-M mounting plate



DA-SUP-S mounting plate			DA-SUP-M mounting plate		
A [mm]	B [mm]	C [mm]	A [mm]	B [mm]	C [mm]
94	135	182	104	145	190

DA-SUP-S/M mounting plate is mounted lengthwise only!

Ød <sub>1 nom</sub> (mm)	Weight (kg)	Ød <sub>1 nom</sub> (mm)	Weight (kg)
80	0.6	355	2.3
100	0.7	400	2.8
125	0.8	450	3.8
160	0.9	500	4.5
200	1.2	560	5.2
250	1.5	630	6.0
315	1.8		