

Band clips for flexible ducts

TKS



Description

The TKS band clip is made of galvanized sheet band. It is necessary for connecting flexible ducts with shaped profiles, connectors and stub pipes etc. Properly shaped edges of the band clip prevent damages while its assembling and mounting. The TKS band clip is equipped with a worm clamp ensuring tight and firm connection.

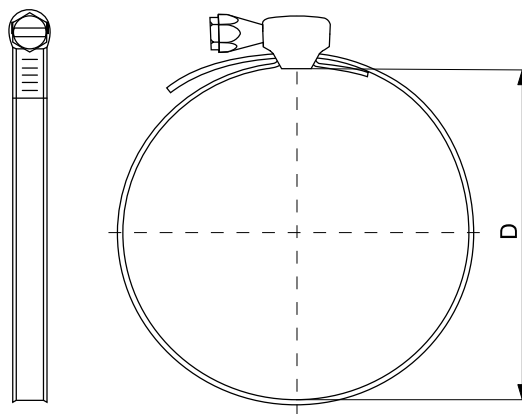
Packing: 10 pcs in a box

Example identification

Product code: TKS

type _____

Dimensions



code	range diameters [mm]
TKS-90	Ø70 - 90
TKS-110	Ø90 - 110
TKS-135	Ø120 - 135
TKS-165	Ø145 - 165
TKS-215	Ø200 - 215
TKS-270	Ø250 - 270
TKS-315	Ø295 - 315
TKS-325	Ø310 - 325
TKS-380	Ø360 - 380
TKS-525	Ø500 - 525
TKS-660	Ø640 - 660