

MERCURY med målerforskruning



41.81.78.96X

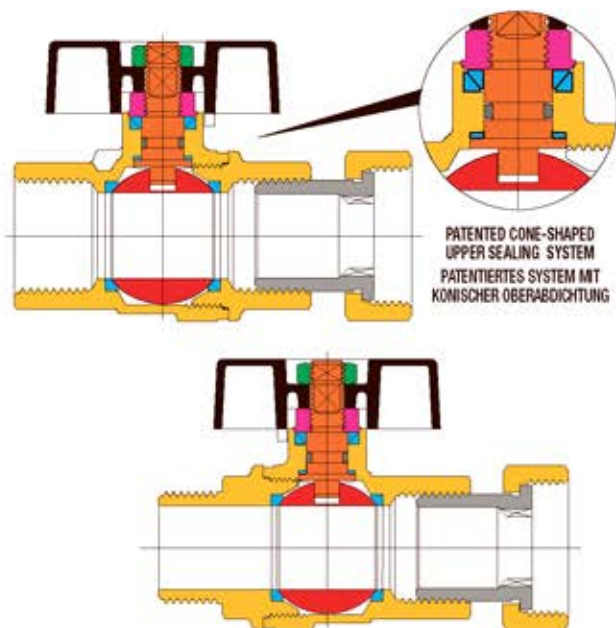
1/2" x 3/4" muf/forskruning T-greb
3/4" x 1" muf/forskruning T-greb

MERCURY

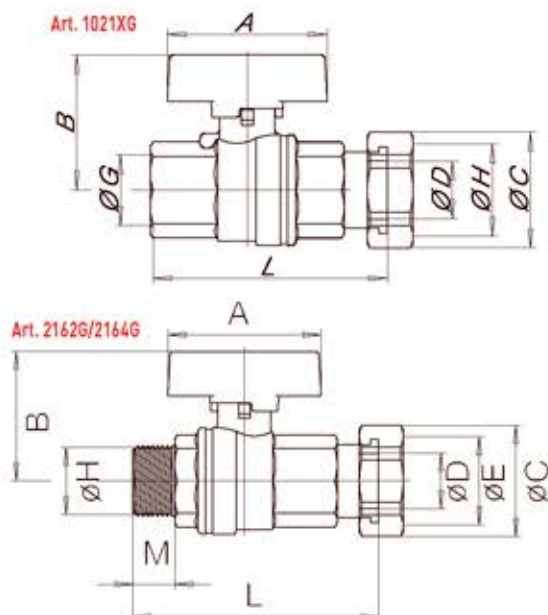
med målerforskruning



SECTION / QUERSCHNITT



DIMENSIONS / ABMESSUNGEN



LIST OF COMPONENTS: description/materials/treatments TEILELISTE: Beschreibung / Werkstoffe / Behandlungen

Body and threaded end Gehäuse und Gewindemuffe		CW617N (Pb ≤ 2,2% DIN 50930T6)
Gland Stopfbuchse		CW617N (Pb ≤ 2,2% DIN 50930T6)
Stem Betätigungsspindel		CW617N (Pb ≤ 2,2% DIN 50930T6)
Chromium pl. polished ball Blank verchromte Kugel		CW617N (Pb ≤ 2,2% DIN 50930T6)
Tail Schalt		CW617N (Pb ≤ 2,2% DIN 50930T6)
Nut Überwurfmutter		CW617N (Pb ≤ 2,2% DIN 50930T6)
Stem packing O-ring O-Ring Schaltwellenabdichtung		NBR
Seats Dichtungen		PTFE
Operating device Betätigungselement		aluminium alloy / alu-Legierung
Fixing screw Befestigungsmutter		zinc plated steel / zinkstahl
Surface treatment Außenbehandlung	-	brilliant nickel-plating, two colours glänzend vernickelte Oberfläche, zweifarbig

VALVE DIMENSIONS PER TYPE AND SIZE KUGELHAHNGRÖSSE NACH TYP UND MASS

	15	15			
nominal diameter mm Nenndurchmesser mm	15	15			
size in inches Zoll Abmessung	1/2" x 1/2"	1/2" x 3/4"			
Ø D bore mm Ø D durchgang mm	10	15			
A mm	47	47			
B mm	30	38			
Ø C mm	28	33			
Ø E	1/2"	1/2"			
Ø H	1/2"	3/4"			
L mm	65	76			
M	69	82			

TECHNICAL FEATURES:

Temperature limits: for liquids from -120C to +120C

Pressure limits: for liquids 40 bar

SPECIFIC FEATURES:

Bore: full [1/2"X3/4"] - reduced [1/2"X1/2"].
Stem: anti blow out.
Seats: high resistance virgin PTFE.
Upper seal: **4 seals**
 1 PTFE ring- high pressure
 2 anti-friction self-adjusting cone shaped seals, in PTFE - medium and low pressure
 1 O-Ring - low pressure.

Operation devices:

Aluminium T-handle. Available colours: Black

All the valves comply with the regulation **CE 97/23/CE** and are tested 100% on pneumatic seal with electronic control.