



WM 020 DN 20

The Watts check valve type WM 020 features noiseless operation, very low pressure loss and absolute sealing at high and low back pressures. The split valve stem principle guarantees a trouble free operation for many years.

Technical specifications

Working pres.	PN10
Testing pres.	1600 kPa
Closing pres.	10 cm wc
Max. temp.	up to 90 °C
Diam. nominal	DN 20

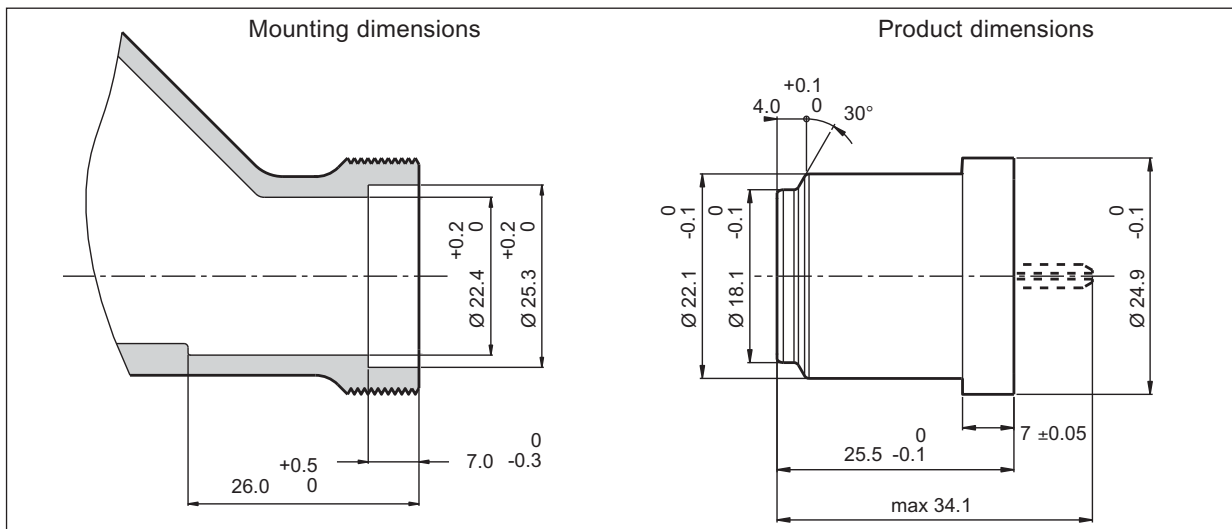
Approvals

KIWA	NL
ABP	D
DVGW	D
NF	F
WRAS	UK
ETA	DK
SITAC	S

Material specifications

House	POM
Valve	POM
Torpedo	POM
Diaphragm	Rubber
Spring	Stainless Steel

Other diameters and other closing pressures on request.



Pressure loss-curve

