

Altech Float Vent

Product name

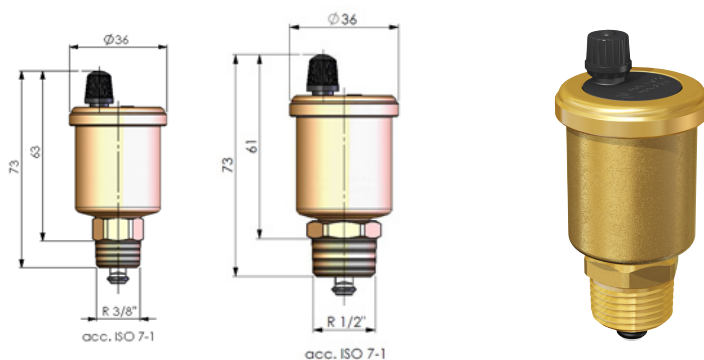
Altech automatic float vent.


Application

Automatic air vent designed for venting of air or gas from heating and chilled water systems.

Specifications

- Body material: brass.
- Working temperature - 10 °C up to max. 110 °C.
- Working pressure 0.2 / 8 bar.
- Medium: Water and Water/glycol solutions up to 30%.



Altech Float Vent								
Type	Dimensions			Connection	Shut-off valve	Weight [g]		Order code
	Ø [mm]	H. [mm]	Built-in height [mm]					
Altech Float Vent 3/8	36	73	63	R 3/8" M	yes	87	50	27721
Altech Float Vent 1/2	36	73	61	R 1/2" M	yes	107	50	27723