

Pressure Gauge RX-1010,1030

HVAC Design, class 2,5



REXOTHERM



Design

- Accuracy class 2,5.
- To operate up to 75% of scale at constant pressure.

Application

Pressure gauge in standard design for measurement of liquids and gases with non-corrosive media. Not suitable for vibration.

Accessories

- Coloured zones
- Loose red pointer
- Back flange

Pressure Ranges

- 1-0 bar/psi	0-6 bar/psi
-1-0-1,5 bar/psi	0-10 bar/psi
-1-0-3 bar/psi	0-16 bar/psi
-1-0-5 bar/psi	0-25 bar/psi
-1-0-9 bar/psi	0-40 bar/psi
0-0,6 bar/psi	0-60 bar/psi
0-1 bar/psi	
0-1,6 bar/psi	
0-2,5 bar/psi	
0-4 bar/psi	

Measuring System: C-type, bronze bourdon

Standard Connection: G 3/8 B

Type No.	Connection	Mounting
RX-1010	bottom	direct
RX-1030	bottom	direct



Tecnical Data

RX-1010, 1030



Dimensions

See drawings at side.

Measuring Systems/Material

C-type bronze bourdon.

Movement

Brass.

Dial

Concentric scale, white dial and black markings.

Units of measurement

Gauges are supplied as standard with dual scale bar/psi.

Single scale in bar only can be supplied.

See table overleaf for standard ranges.

Accuracy

+/-2,5% of scale.

Load Capacity

Max. load: 75% of range for static working pressure

65% of range for cyclic pressure

Overload: Up to 100% of scale for temporary surge

Casing

Black lacquered steel.

Window

Lexan 121R, Polycarbonate, snap-in type.

Mounting

See table overleaf and drawings at side.

Connection

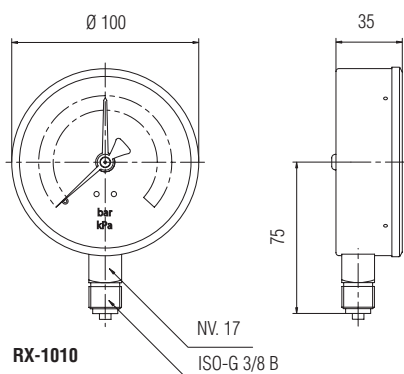
G3/8 B standard.

Max. Working Temperature

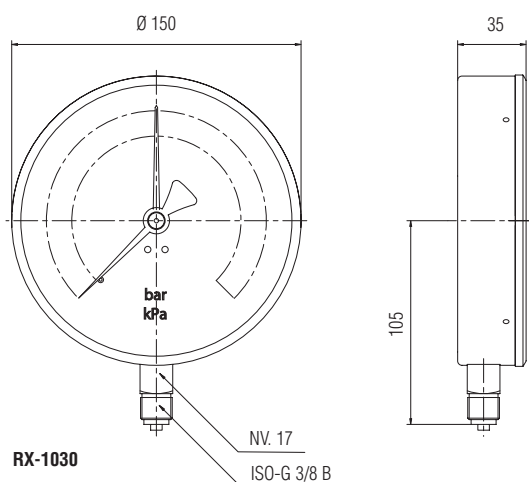
+70°C.

Weight

Approx. 0,5 kg.



RX-1010



RX-1030