

**Geberit exposed cistern AP121, stop-and-go flush (AP021)**
**Fremstillingsår 1976-**
**Gyldig for artikel**

021.000.11.1	021.100.11.1	121.000.11.1	121.100.11.1	121.958.10.1
121.958.11.1	121.958.BK.1	121.972.11.1		

**Kendetegn**
**Model navn**

AP021 / AP121

**Modulnummer**

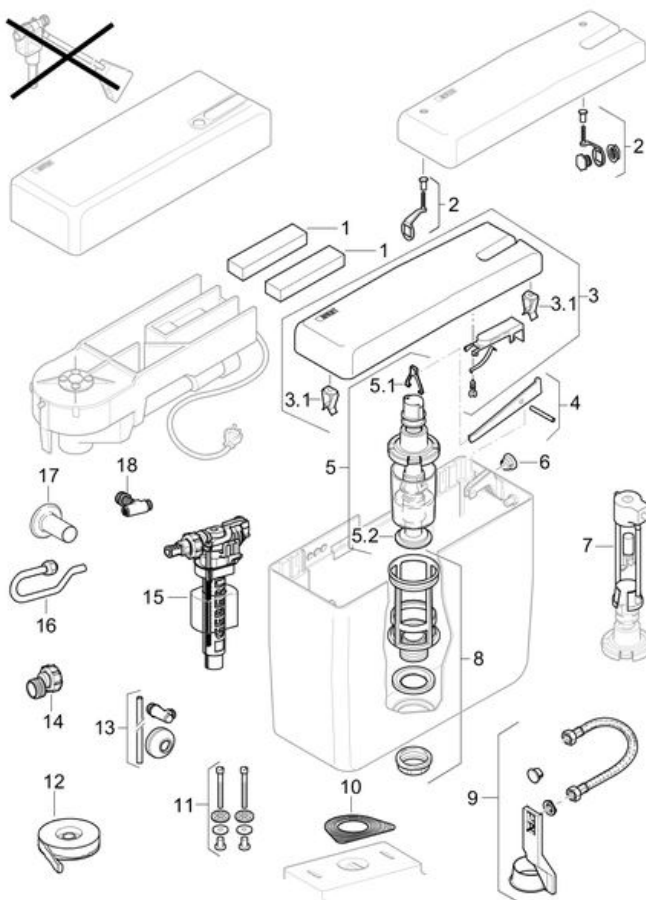
-

**Dimension / Design**

-

**PA nummer**

-

**Reserve delstegning**

**Reserve dele**

Pos.	Artikelnummer	Betegnelse	Bemærkninger
1	215.351.00.1	active carbon filter typ 2	
2	240.183.00.1	fastening set f/ screwed cover	
3	215.275.11.1	cistern lid to AP121 white alpine	L 45 x W 16,7 cm
3.1	294.821.00.1	cover clip to cist lid set-2	
4	816.889.16.1	actuator lever to AP120	
5	240.113.00.1	outlet valve universal S/G f E/C	

5.1	241.167.00.1	handle set to flush valve	
5.2	816.418.00.1	Geberit flat gasket for flush valve	
6	816.803.11.1	plug to cistern	
7	115.496.00.1	Magnetic Lever for Consealed Mod.125.000	
8	215.348.11.1	basket f/ C/C	
9	240.010.11.1	accessories set A	
10	813.766.00.1	section seal to E/C	
11	242.621.00.1	fastening f/ E/C S/M set-2	
12	992.176.00.1	gomastic kompl 8x700 mm	
13	215.085.21.1	angle stop valve w/ ction material Cr-pl	
14	240.711.00.1	eccentric f FV Typ 380	
15	240.700.00.1	FV Typ 380 sc 3/8" br f E/C spare DE	
15	242.983.00.1	FV Typ 380 sc 3/8" br f E/C spare UK	
15	240.704.00.1	FV Typ 380 sc 3/8" br f E/C spare set-6	
15	240.714.00.1	FV Typ 380 sc 3/8" br NL/F	
15	240.715.00.1	FV Typ 380 sc 3/8" br f E/C AT	
15	240.717.00.1	FV Typ 380 sc 3/8" br f E/C BE	
15	240.718.00.1	FV Typ 380 bc 3/8"	
15	240.719.00.1	FV Typ 380 sc 3/8" br f E/C CH	
15	240.783.00.1	FV Typ 380 sc 3/8" br f E/C IT	
15	281.000.00.1	FV Typ 380 sc 3/8" br f E/C ES	
15	281.002.00.1	FV Typ 380 sc 3/8" Ms FR	
15		Geberit fill valve type 380, side connection	flere reservedele
16	240.017.00.1	conversion set for rc/mi	
17	817.603.11.1	collar two parts	
17	817.603.21.1	collar compl two-parts	
18	216.021.00.1	angle stop valve G3/8 compl	