

RENOVER DIT BADEVÆRELSE



GROHE MONOBLOC TIL RENOVERING

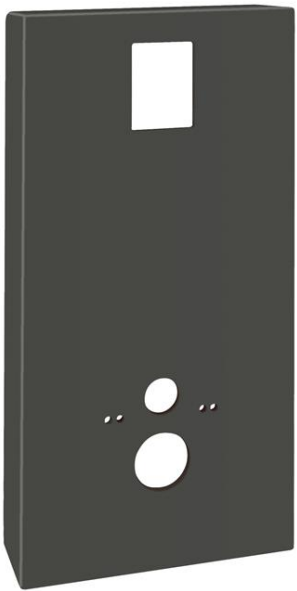


Product Code	Description	EAN	Length (mm)	Width (mm)	Height (mm)	Weight (Kg)
39377LS0	Solido Monobloc, white incl. Actuation Skate Cosmo chrome	4005176351143	1.220	680	200	29,500
39377X10	Solido Monobloc, slate grey incl. Actuation Skate Cosmo matt-chrome	4005176383243	1.220	680	200	29,500

SOLIDO MONOBLOC

SCOPE OF DELIVERY

Acrylic cover, Solido project frame, wall brackets, Skate Cosmo 000/P00, flexible hose



Acrylic Cover



Actuation
Skate Cosmo



Solido
Project frame



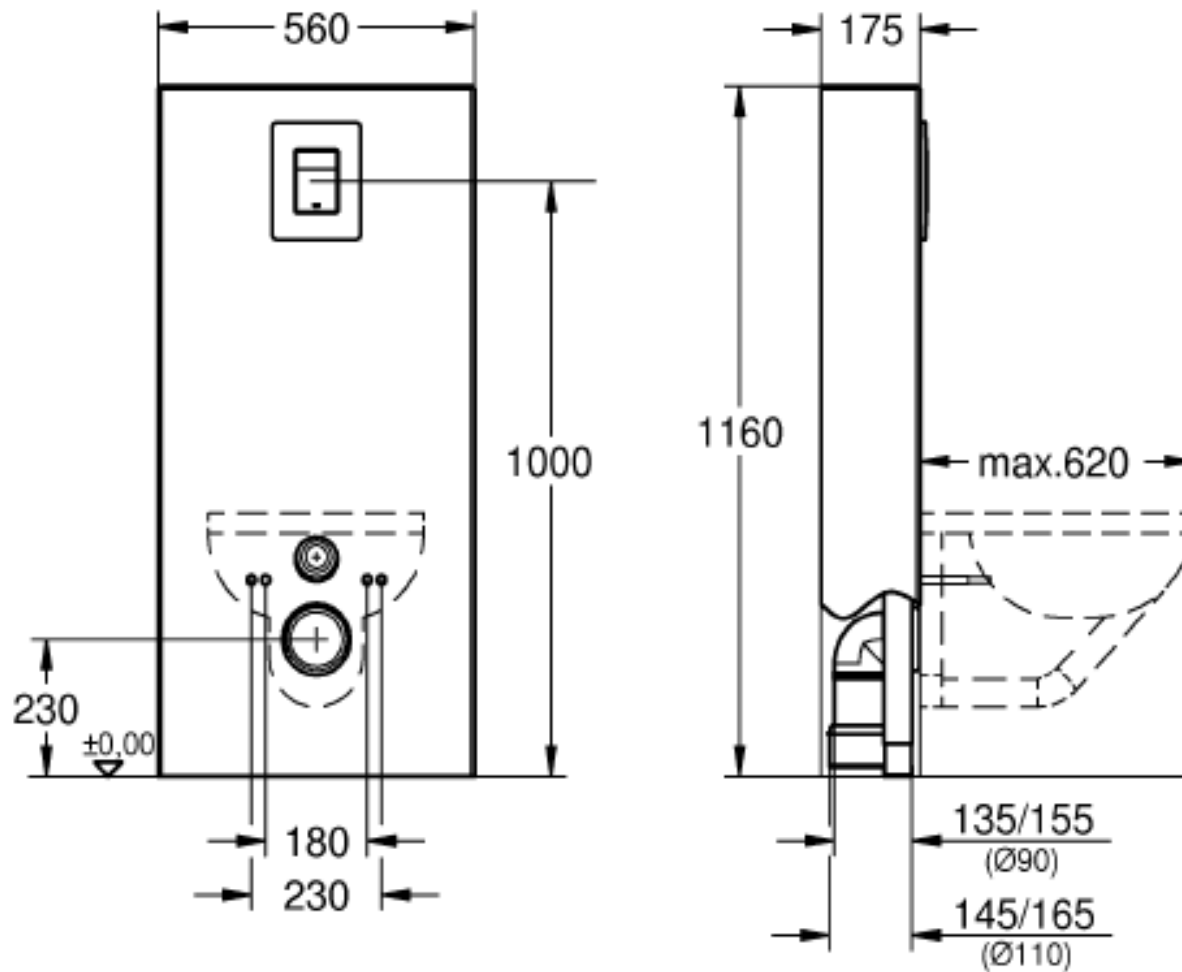
Wall brackets



Flexible hose

SOLIDO MONOBLOC

DIMENSIONS



SOLIDO MONOBLOC

KEY BENEFITS

1. Design

Sophisticated acrylic cover for the frame behind the toilet.

2. Flexibility

Refurbishment solution suitable for most existing installations with exposed cistern and flush valves.

3. Solid materials

Thermo-molded acrylic cover fiber glass reinforced, flush plate with a (matt)chrome finish.

4. All-in-one solution

Including Rapid SL project frame, actuation plate and wall brackets.

5. Range

Moon white (glossy) with chrome flush plate
Slate grey (matt), with mattchrome flush plate



GROHE
Whisper®



GROHE
StarLight®



GROHE
EcoJoy™



GROHE
QuickFix®



Safety

SOLIDO MONOBLOC

39377LS0 616977.910

Solido Monobloc

with small maintenance access

1.13 m installation height

for on-the-wall installations

powder coated steel frame, self-supporting

for single installation

quick adjustment, lockable

fixing material

2 WC fixing bolts

fixing device for ceramics

distance of fixing bolts 180/230 mm

depth adjustable

inlet and outlet connecting set

flushing cistern GD 2, 6 - 9 l

adjustment ex factory 6 l and 3 l

pneumatic discharge valve offering 2 modes of operation: dual

flush or start/stop

water supply from back, left and right

low noise (group I acc. to German Noise Specification)

DIN approved

insulated against condensation

½" water supply connection including integrated angle valve and

push fit flexible hose union

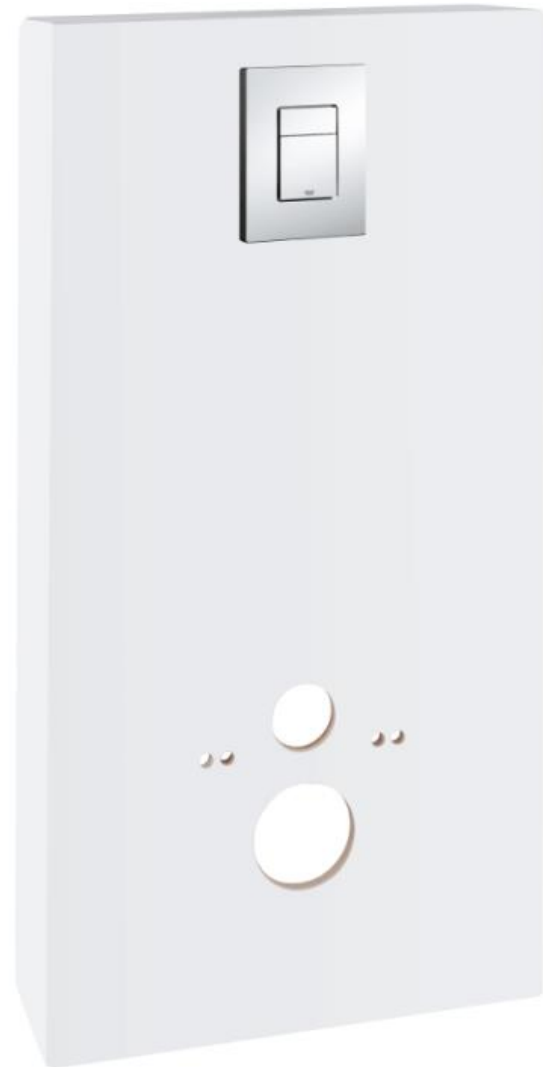
no tools required for the installation of the inspection shaft incl.

protection during construction phase, for vertical use

with fixing material

Incl. acrylic cover, white

Incl. actuation plate Skate Cosmo, chrome



SOLIDO MONOBLOC

39377XIO 616977.912

Solido Monobloc
with small maintenance access
1.13 m installation height
for on-the-wall installations
powder coated steel frame, self-supporting
for single installation
quick adjustment, lockable
fixing material
2 WC fixing bolts
fixing device for ceramics
distance of fixing bolts 180/230 mm
depth adjustable
inlet and outlet connecting set
flushing cistern GD 2, 6 - 9 l
adjustment ex factory 6 l and 3 l
pneumatic discharge valve offering 2 modes of operation: dual
flush or start/stop
water supply from back, left and right
low noise (group I acc. to German Noise Specification)
DIN approved
insulated against condensation
½" water supply connection including integrated angle valve
and push fit flexible hose union
no tools required for the installation of the inspection shaft
incl. protection during construction phase, for vertical use
with fixing material
Incl. acrylic cover, slate grey
Incl. actuation plate Skate Cosmo, matt-chrome

