

**DEFA Alu-brackets** are made by recycled die-casted aluminium covered with chemical resistant epoxy paint which safeguards a durable and lasting surface. There are many reasons why **DEFA Alu-Brackets** are one of the most sold brackets on the market.

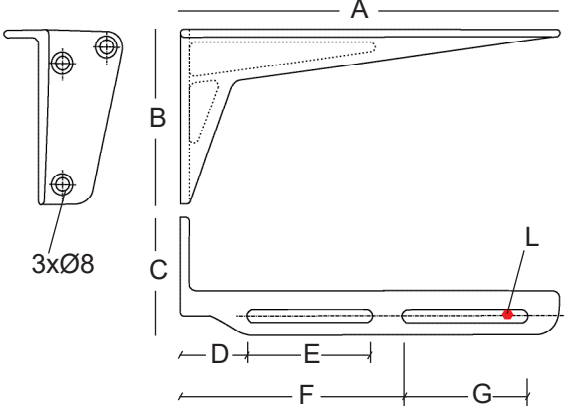
- **Break resistant** - the strength of the aluminium brackets makes them popular in tough areas like schools, hospitals and other public areas.
- **Wide assortment** - the brackets are available in 4 different lengths, from 195 mm to 345 mm, and fits a great variety of washbasins.
- **Easy mounting** - the special made DEFA T-bolts simplifies the mounting of the washbasin.
- **Handy design** - the brackets are very strong, despite its minimal shape.

## Technical data

Weight & Measure - mm									
Type	A	B	C	D	E	F	G	W*	Item no.**
E-195	195	110	76	43	70	127	58	150	106405
E-240	240	110	76	43	79	140	79	185	106411
E-260	260	110	76	61	82	159	89	200	106412
E-350	345	110	76	63	94	206	119	300	106413
T-bolt								7	106545***

Material : Al SIS 4250  
Colour : EP 8000

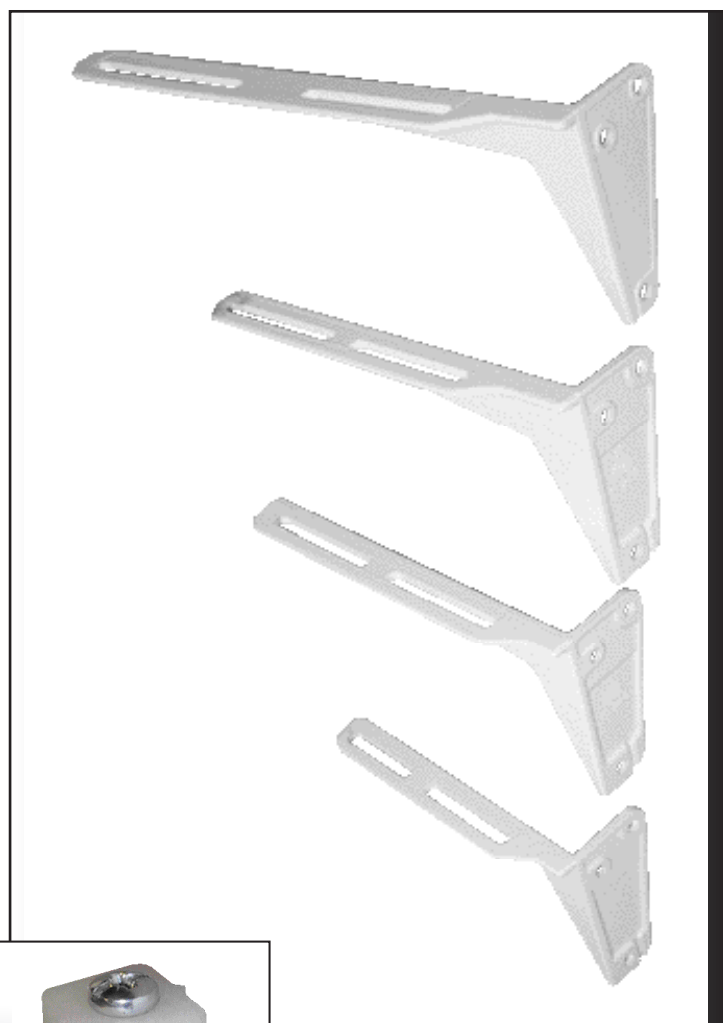
\* W= Weight in gram per unit.  
\*\* Item no. = Pair + 4 T-bolts (Shrink wrapped)  
\*\*\* 4 T-bolts in a bag



**DEFA Alu-brackets** are delivered in pairs (left and right) shrink wrapped, including 4 T-bolts.

**DEFA Alu-brackets** E-195/240/260 are tested with 100 kg load 30 mm (L) from the end point. In this test the brackets durable deflection limit is 11 mm. For 70 kg load, the durable deflection limit is 6 mm.

**DEFA Alu-bracket** E-350 are tested with 70 kg load 30 mm (L) from the end point. In this test the brackets durable deflection limit is 10 mm.



**The T-bolts** are to be fitted through the groove in the aluminium brackets and into the mounting holes of the washbasin. The T-bolts are also available in bags of 50 units.