

Focus

Single lever basin mixer 100 without waste set

Surfaces: **chrome** Article Number: **31517000**



Description

product features

- ComfortZone 100
- projection 119 mm
- flow rate: 5 l/min
- ceramic cartridge
- temperature limitation adjustable
- without waste set
- suitable for continuous flow water heaters
- connection dimension: DN15
- SVGW 1112-5970
- DVGW NW-6506CM0457
- P-IX 6991/IO
- ETA VA 1.42/19941
- ACS 12 ACC LY 352, valide jusqu'au 20.06.2017
- WRAS 1203310
- Kiwa K6161_Mechanical Mixers EN817
- SINTEF 1824

Technology



Design awards



reddot design award

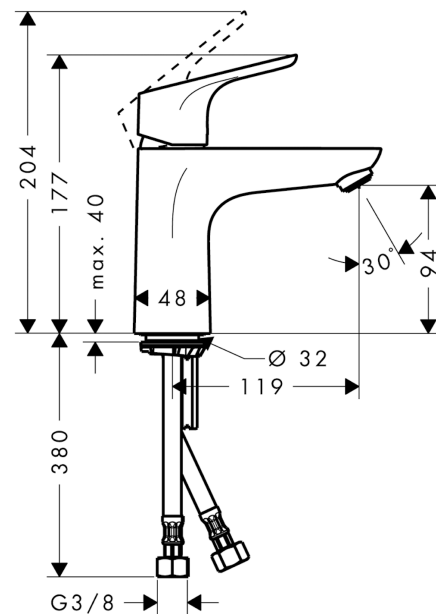
Certificates



Product image



Scale drawing



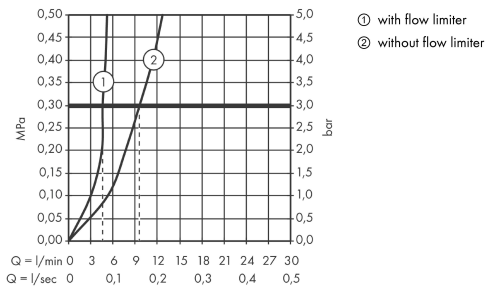
Focus

Single lever basin mixer 100 without waste set

Surfaces: **chrome** Article Number: **31517000**



Flowchart



Focus

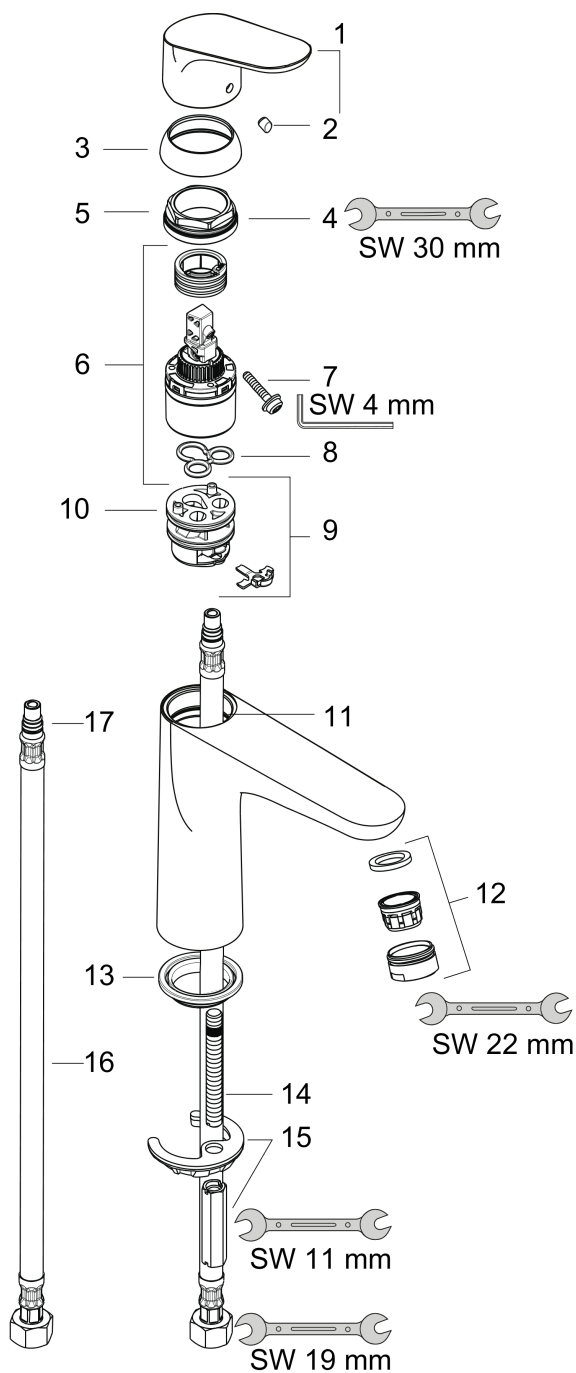
Single lever basin mixer 100 without waste set

Surfaces: **chrome** Article Number: **31517000**



Exploded Drawing

Year of production: >05/11



Focus
Single lever basin mixer 100 without waste set

 Surfaces: **chrome** Article Number: **31517000**

Spare part list

Year of production: >05/11

Pos.	Description	Article Number	PC	PU
1	handle	98532000	-	1
2	screw cover	96338000	-	1
3	flange	97406000	-	1
4	nut	97209000	-	1
5	O-Ring 32x2	98193000	-	1
6	cartridge, assy	92730000	-	1
7	locking screw for handle	95140000	-	1
8	seal	95008000	-	1
9	adapter for cartridge	98750000	-	1
10	O-Ring 30x2	98186000	-	1
11	O-ring 35x2	92604000	-	1
12	aerator M24x1 (5 l/min)	13185000	-	1
13	seal Ø 42	98722000	-	1
14	screw M8 x 68	97736000	-	1
15	fixing set	96016000	-	1
16	O-ring 7x1,5	98422000	-	1
17	connection hose 450 mm M8x0,75 G3/8	97206000	-	1