

Logis

Single lever basin mixer 100 with pop-up waste set

Surfaces: **chrome** Article Number: **71100000**



Description

product features

- ComfortZone 100
- projection 108 mm
- normal spray
- flow rate: 5 l/min
- ceramic cartridge
- temperature limitation adjustable
- pop-up waste set G 1¼
- suitable for continuous flow water heaters
- connection dimension: DN15
- SVGW 1409-6309
- DVGW NW-6506CP0553
- P-IX 28113/IO
- WELL WA10562-2014-0203
- ETA VA1.42/20391
- ACS 12 ACC LY 352, valide jusqu'au 20.06.2017
- WRAS 1410017
- Kiwa K6161_Mechanical Mixers EN817
- SINTEF 3077

Technology



Design awards



reddot award 2014
winner

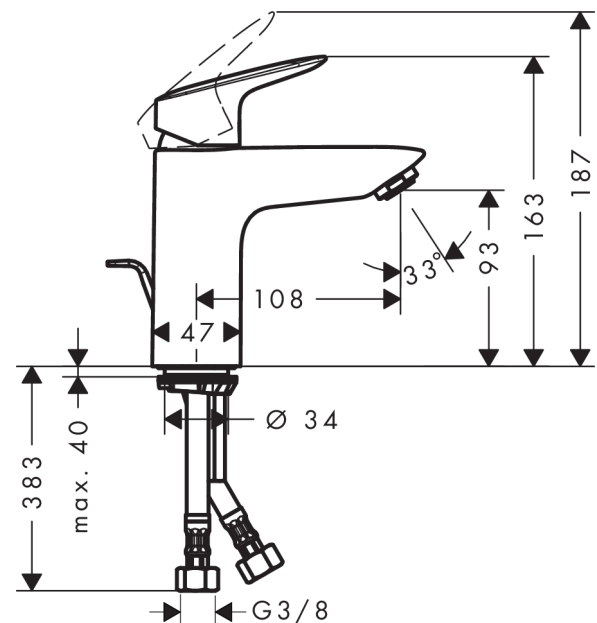
Certificates



Product image



Scale drawing



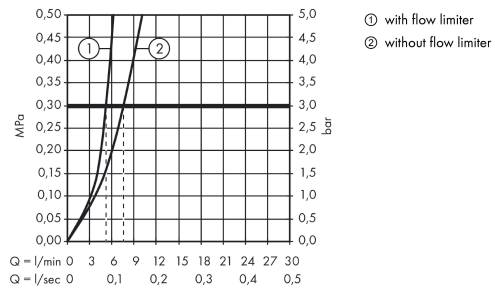
Logis

Single lever basin mixer 100 with pop-up waste set

Surfaces: **chrome** Article Number: **71100000**



Flowchart



Logis

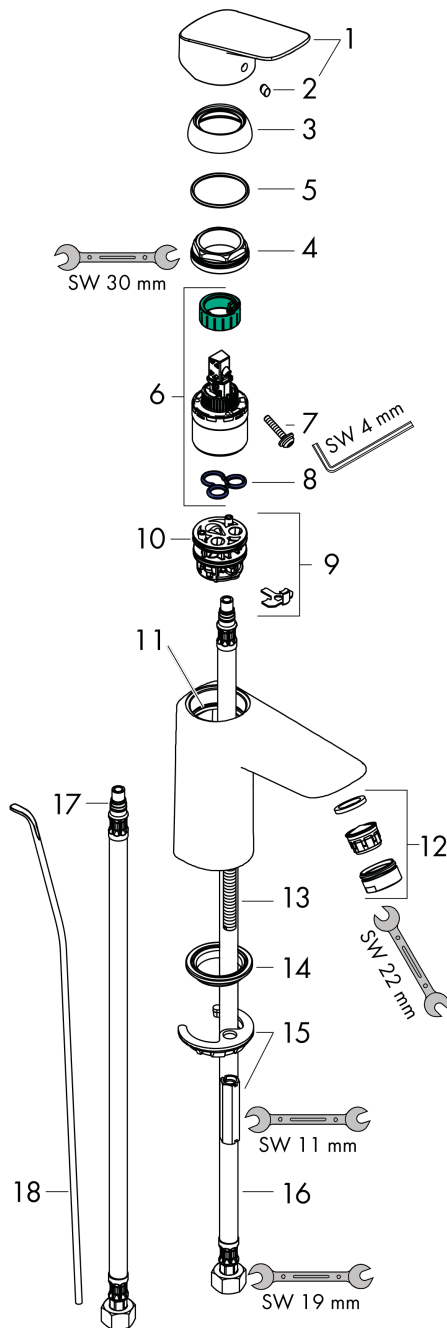
Single lever basin mixer 100 with pop-up waste set

Surfaces: **chrome** Article Number: **71100000**



Exploded Drawing

Year of production: >01/15



Logis

Single lever basin mixer 100 with pop-up waste set

Surfaces: **chrome** Article Number: **71100000**



Spare part list

Year of production: >01/15

Pos.	Description	Article Number	PC	PU
1	handle	92224000	-	1
2	screw cover	96338000	-	1
3	flange	97406000	-	1
4	nut	97209000	-	1
5	O-Ring 32x2	98193000	-	1
6	cartridge, assy	92730000	-	1
7	locking screw for handle	95140000	-	1
8	seal	95008000	-	1
9	adapter for cartridge	98750000	-	1
10	O-Ring 30x2	98186000	-	1
11	O-ring 35x2	92604000	-	1
12	aerator M24x1 (5 l/min)	92372000	-	1
13	screw M8 x 68	97736000	-	1
14	seal Ø 42	98722000	-	1
15	fixing set	96016000	-	1
16	connection hose 450 mm M8x0,75 G3/8	97206000	-	1
17	O-ring 7x1,5	98422000	-	1
18	pull rod	96657000	-	1
a	pop up waste	92168000	-	1