

Axor Citterio

Single lever basin mixer 190 with pop-up waste set

Surfaces: **chrome** Article Number: **39034000**



Description

product features

- ComfortZone 190
- projection 160 mm
- normal spray
- flow rate: 5 l/min
- joystick ceramic cartridge
- temperature limitation not adjustable
- pop-up waste set G 1¼
- suitable for continuous flow water heaters
- connection dimension: DN15
- SVGW 1208-6072
- DVGW NW-6506BT0603
- P-IX 19466/IO
- ETA VA 1.42/19581
- ACS 11 ACC LY 021, valide jusqu'au 05.05.2016
- Kiwa UK 1508716
- WRAS 1509302
- WRAS 1012330
- Kiwa K6161_Mechanical Mixers EN817
- SINTEF 1423

Optional Accessoires

- Flowstar design trap set (#52120XXX)

Technology



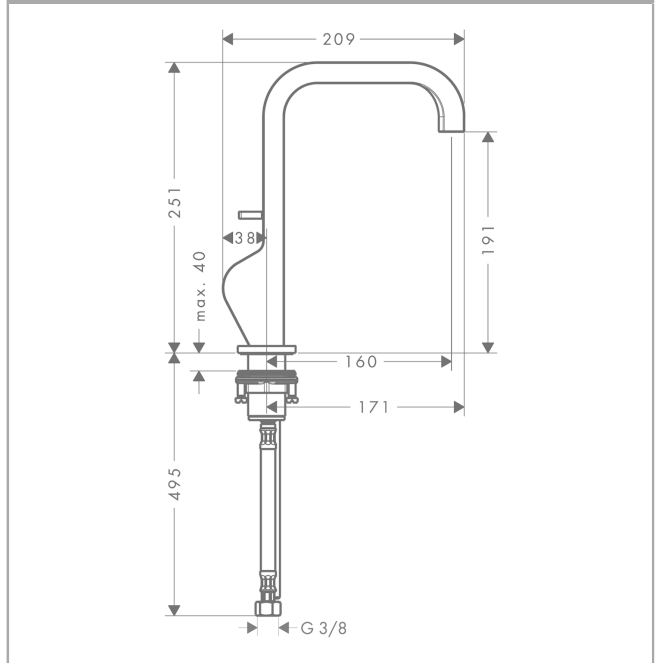
Certificates



Product image



Scale drawing



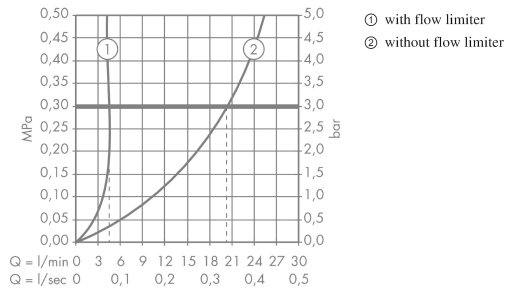
Axor Citterio

Single lever basin mixer 190 with pop-up waste set

Surfaces: **chrome** Article Number: **39034000**



Flowchart



Axor Citterio

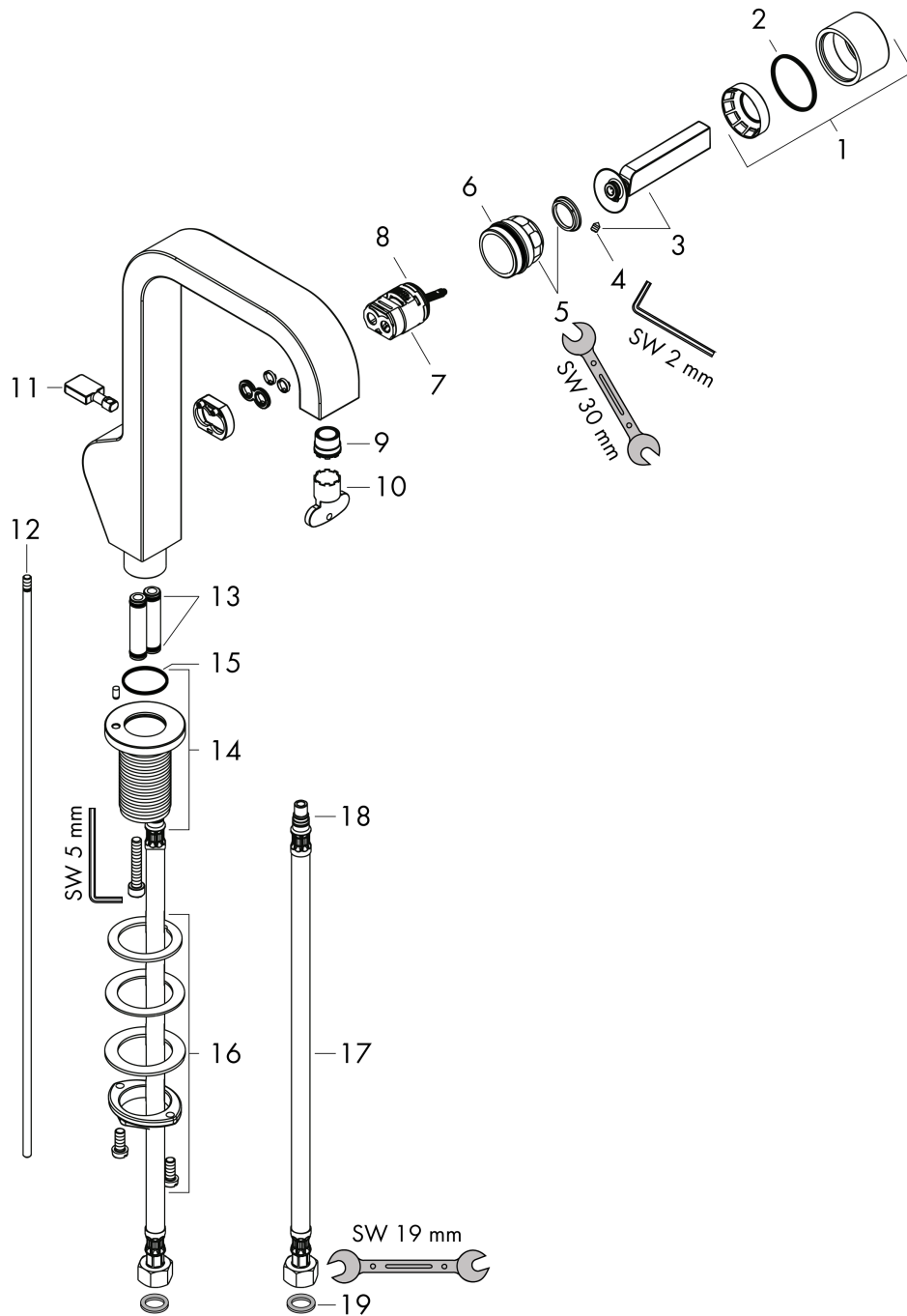
Single lever basin mixer 190 with pop-up waste set

Surfaces: **chrome** Article Number: **39034000**



Exploded Drawing

Year of production: >08/14



Axor Citterio

Single lever basin mixer 190 with pop-up waste set

Surfaces: **chrome** Article Number: **39034000**



Spare part list

Year of production: >08/14

Pos.	Description	Article Number	PC	PU
1	cover cap	95681000	-	1
2	O-ring 34x2	98383000	-	1
3	handle	95682000	-	1
4	hollow set screw M4x6	97767000	-	1
5	nut	95683000	-	1
6	O-Ring 30x2	98186000	-	1
7	cartridge, assy	96339000	-	1
8	O-ring 21,95x1,78	95169000	-	1
9	aerator laminar M16,5x1 (5 l/min)	95382000	-	1
10	special tool	98987000	-	1
11	diverter knob	95684000	-	1
12	pull rod	95128000	-	1
13	O-ring 7x2	98419000	-	1
14	escutcheon	95685000	-	1
15	O-ring 26x1,5	98390000	-	1
16	fixing set (Ø 32)	13961000	-	1
17	connection hose 600 mm M8x0,75 G3/8	96556000	-	1
18	O-ring 7x1,5	98422000	-	1
19	sealing set	95581000	-	1
a	pop up waste	94139000	-	1
b	fixation extension 35 mm	13898000	-	1
c	service tool for disassembling the handle	92124000	-	1