

Talis

Single lever basin mixer 80 with pop-up waste set

Surfaces: **chrome** Article Number: **32040000**



Description

product features

- ComfortZone 80
- projection 108 mm
- normal spray
- flow rate: 5 l/min
- ceramic cartridge
- temperature limitation adjustable
- pop-up waste set G 1¼
- suitable for continuous flow water heaters
- connection dimension: DN15
- SVGW 0706-5233
- DVGW NW-6506BT0455
- P-IX 18308/IA
- WELL WA10514-20121128
- ETA VA 1.42/19886
- ACS 12 ACC LY 352, valide jusqu'au 20.06.2017
- Kiwa UK 1401700
- WRAS 1401304
- Kiwa K6161_Mechanical Mixers EN817
- SINTEF 1834

Technology



Design awards



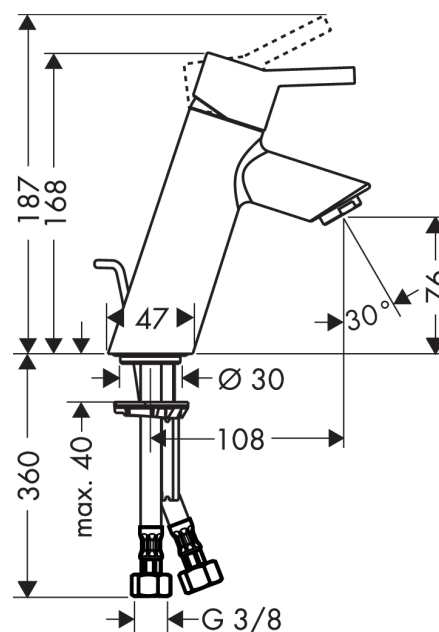
Certificates



Product image



Scale drawing



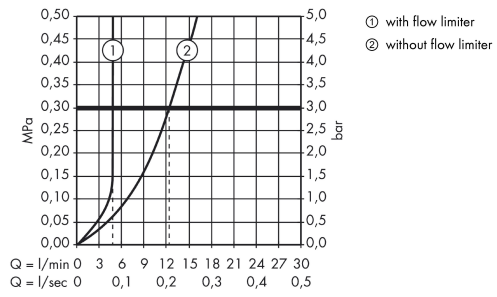
Talis

Single lever basin mixer 80 with pop-up waste set

Surfaces: **chrome** Article Number: **32040000**



Flowchart



Talis

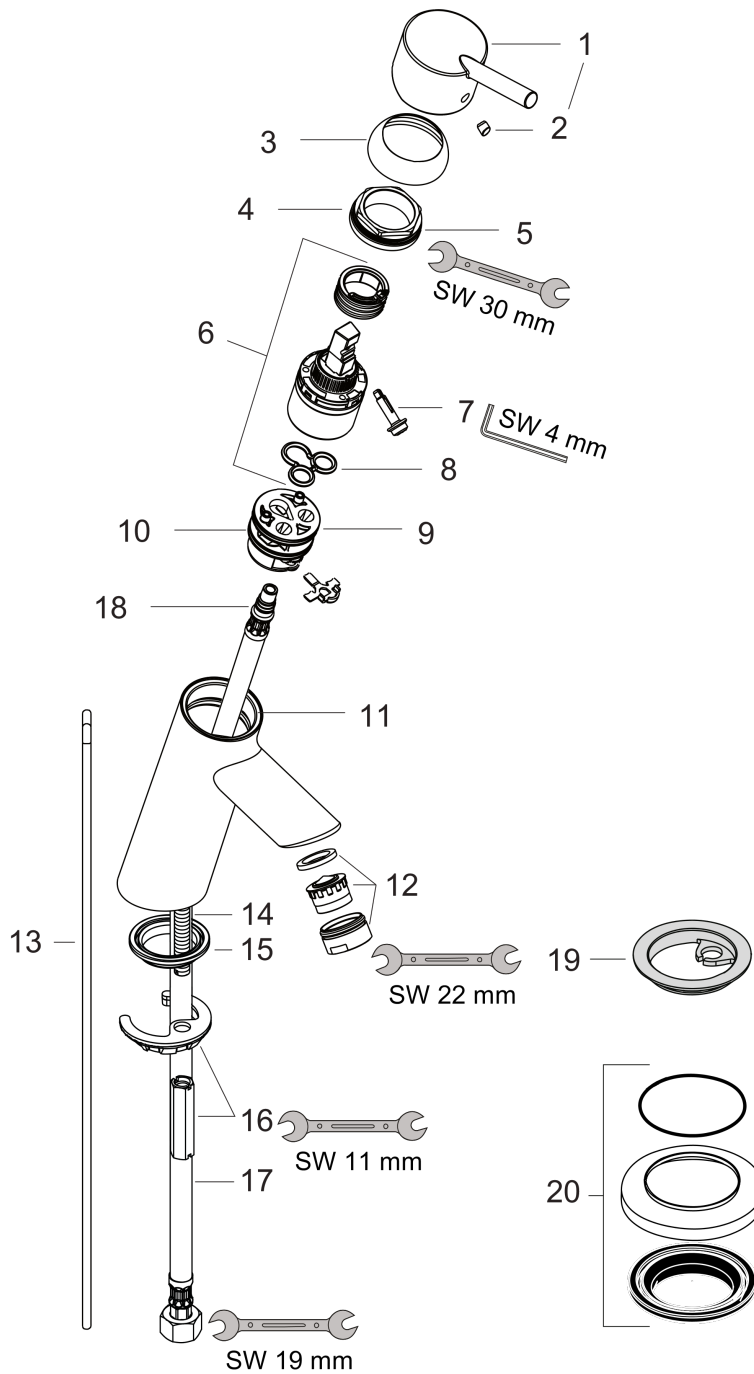
Single lever basin mixer 80 with pop-up waste set

Surfaces: **chrome** Article Number: **32040000**



Exploded Drawing

Year of production: >10/10



Talis
Single lever basin mixer 80 with pop-up waste set

 Surfaces: **chrome** Article Number: **32040000**

Spare part list

Year of production: >10/10

Pos.	Description	Article Number	PC	PU
1	handle	32096000	-	1
2	screw cover	96338000	-	1
3	flange	97406000	-	1
4	nut	97209000	-	1
5	O-Ring 30x2	98186000	-	1
6	cartridge, assy	92730000	-	1
7	locking screw for handle	95140000	-	1
8	seal	95008000	-	1
9	adapter for cartridge	98750000	-	1
10	O-Ring 32x2	98193000	-	1
11	O-ring 35x2	92604000	-	1
12	aerator M24x1 (5 l/min)	13185000	-	1
13	pull rod	96657000	-	1
14	seal Ø 42	98722000	-	1
15	screw M8 x 68	97736000	-	1
16	fixing set	96016000	-	1
17	connection hose 450 mm M8x0,75 G3/8	97206000	-	1
18	O-ring 7x1,5	98422000	-	1
19	seal Ø 45	98996000	-	1
20	compensation escutcheon	32799000	-	1
a	service set	98964000	-	1
b	pop up waste	94139000	-	1