

Focus

Single lever basin mixer 70 with pop-up waste set

Surfaces: **chrome** Article Number: **31730000**



Description

product features

- ComfortZone 70
- projection 101 mm
- normal spray
- flow rate: 5 l/min
- ceramic cartridge
- temperature limitation adjustable
- pop-up waste set G 1¼
- suitable for continuous flow water heaters
- connection dimension: DN15
- SVGW 0901-5488
- DVGW NW-6506BU0221
- P-IX 18982/IA
- WELL WA10001-20090529
- ETA VA 1.42/18476
- ACS 12 ACC LY 352, valide jusqu'au 20.06.2017
- WRAS 1001021
- WRAS 1507013
- Kiwa K6161_Mechanical Mixers EN817
- SINTEF 1835
- NSF Declaration C150043

Technology



Design awards



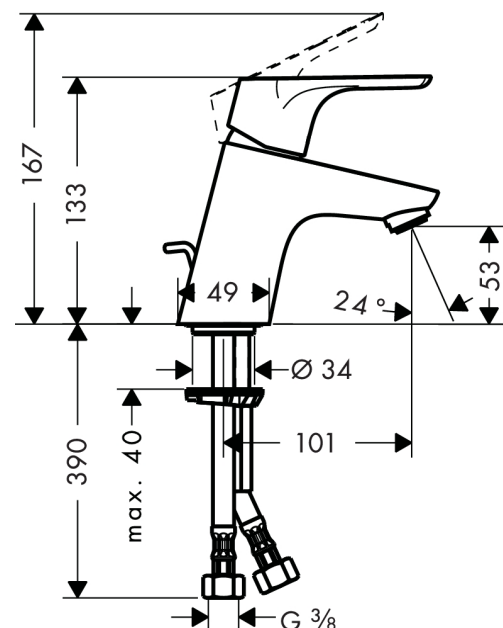
Certificates



Product image



Scale drawing



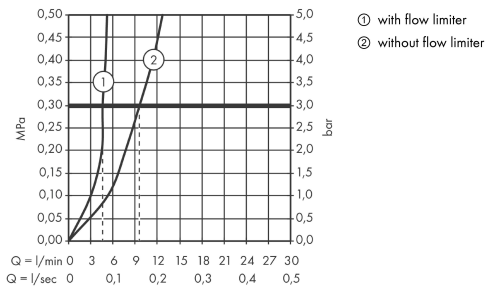
Focus

Single lever basin mixer 70 with pop-up waste set

Surfaces: **chrome** Article Number: **31730000**



Flowchart



Focus

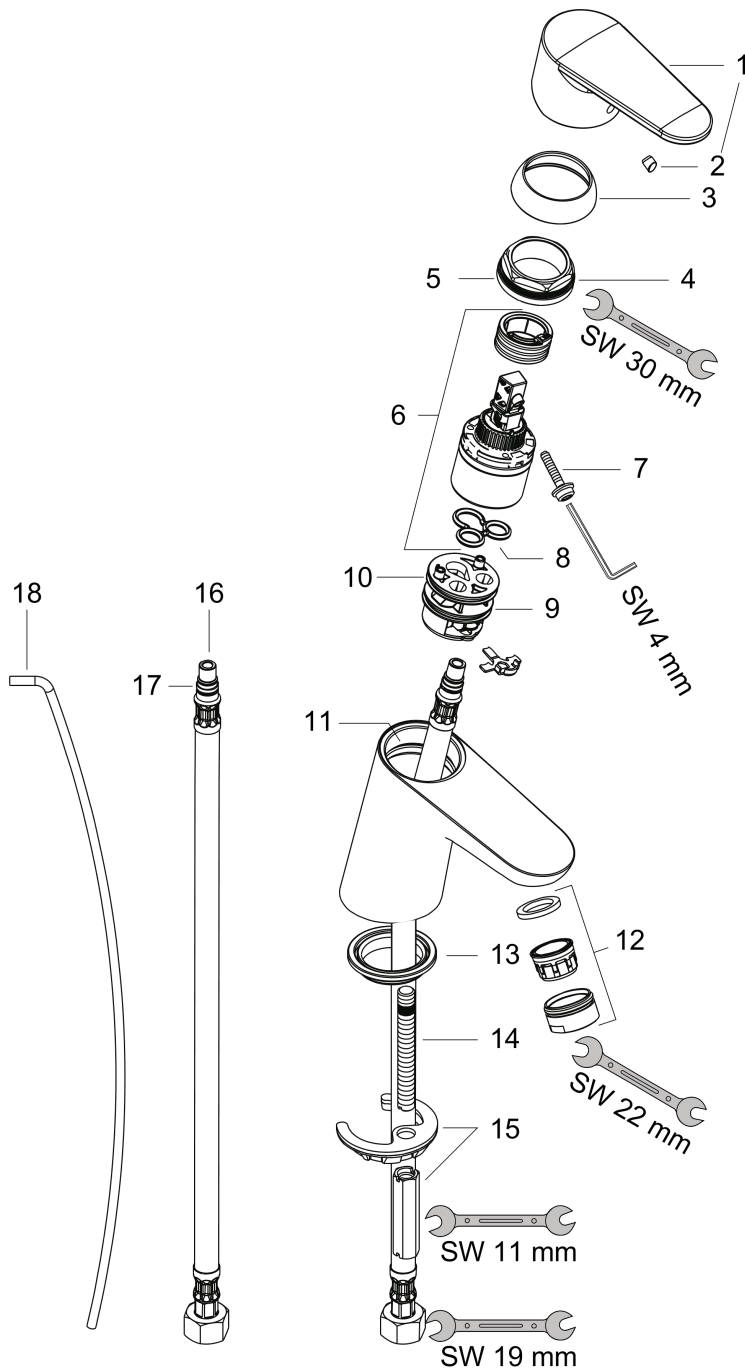
Single lever basin mixer 70 with pop-up waste set

Surfaces: **chrome** Article Number: **31730000**



Exploded Drawing

Year of production: >01/10



Focus

Single lever basin mixer 70 with pop-up waste set

Surfaces: **chrome** Article Number: **31730000**



Spare part list

Year of production: >01/10

Pos.	Description	Article Number	PC	PU
1	handle	98532000	-	1
2	screw cover	96338000	-	1
3	flange	97406000	-	1
4	nut	97209000	-	1
5	O-Ring 32x2	98193000	-	1
6	cartridge, assy	92730000	-	1
7	locking screw for handle	95140000	-	1
8	seal	95008000	-	1
9	adapter for cartridge	98750000	-	1
10	O-Ring 30x2	98186000	-	1
11	O-ring 35x2	92604000	-	1
12	aerator M24x1 (5 l/min)	13185000	-	1
13	seal Ø 42	98722000	-	1
14	screw M8 x 68	97736000	-	1
15	fixing set	96016000	-	1
16	connection hose 450 mm M8x0,75 G3/8	97206000	-	1
17	O-ring 7x1,5	98422000	-	1
18	pull rod	96657000	-	1
a	pop up waste	94139000	-	1