

Axor Citterio M

3-hole basin mixer 160 with pop-up waste set, lever handles and escutcheons

Surfaces: **chrome** Article Number: **34133000**



Description

product features

- ComfortZone 160
- projection 135 mm
- laminar spray
- flow rate: 5 l/min
- ceramic valves hot/ cold 90°
- temperature limitation not adjustable
- pop-up waste set G 1¼
- suitable for continuous flow water heaters
- connection dimension: DN15
- SVGW 1009-5780
- DVGW NW-6501BU0526
- P-IX 19158/IO
- ETA VA 1.42/18272
- ACS 14 ACC NY 363, valide jusqu'au 20.10.2019
- WRAS 1212025
- Kiwa K6110_Mechanical Mixers EN200

Optional Accessoires

- Hose extension set for 3-hole basin mixer (#38959XXX)
- Flowstar design trap set (#52120XXX)

Technology



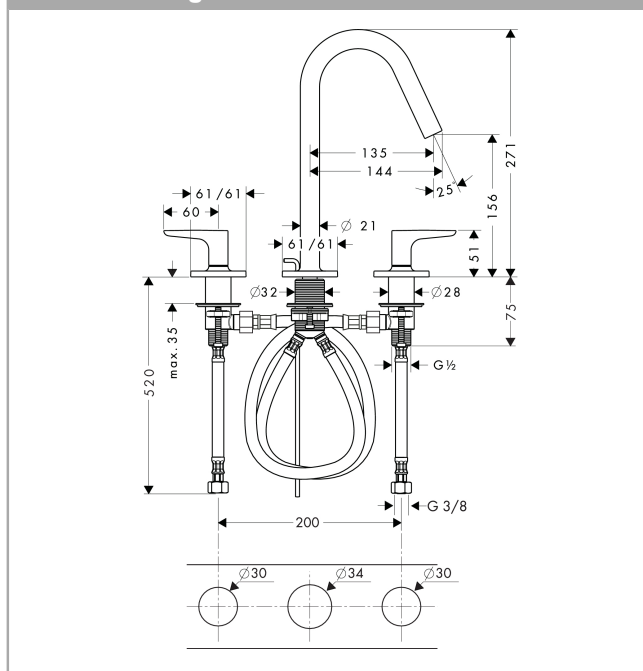
Certificates



Product image



Scale drawing



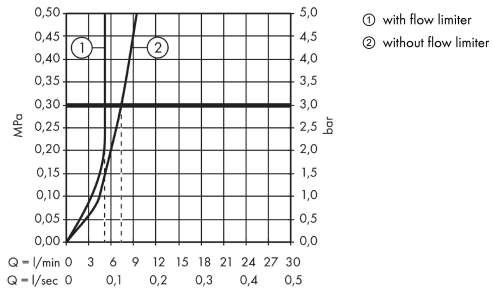
Axor Citterio M

3-hole basin mixer 160 with pop-up waste set, lever handles and escutcheons

Surfaces: **chrome** Article Number: **34133000**



Flowchart



Axor Citterio M

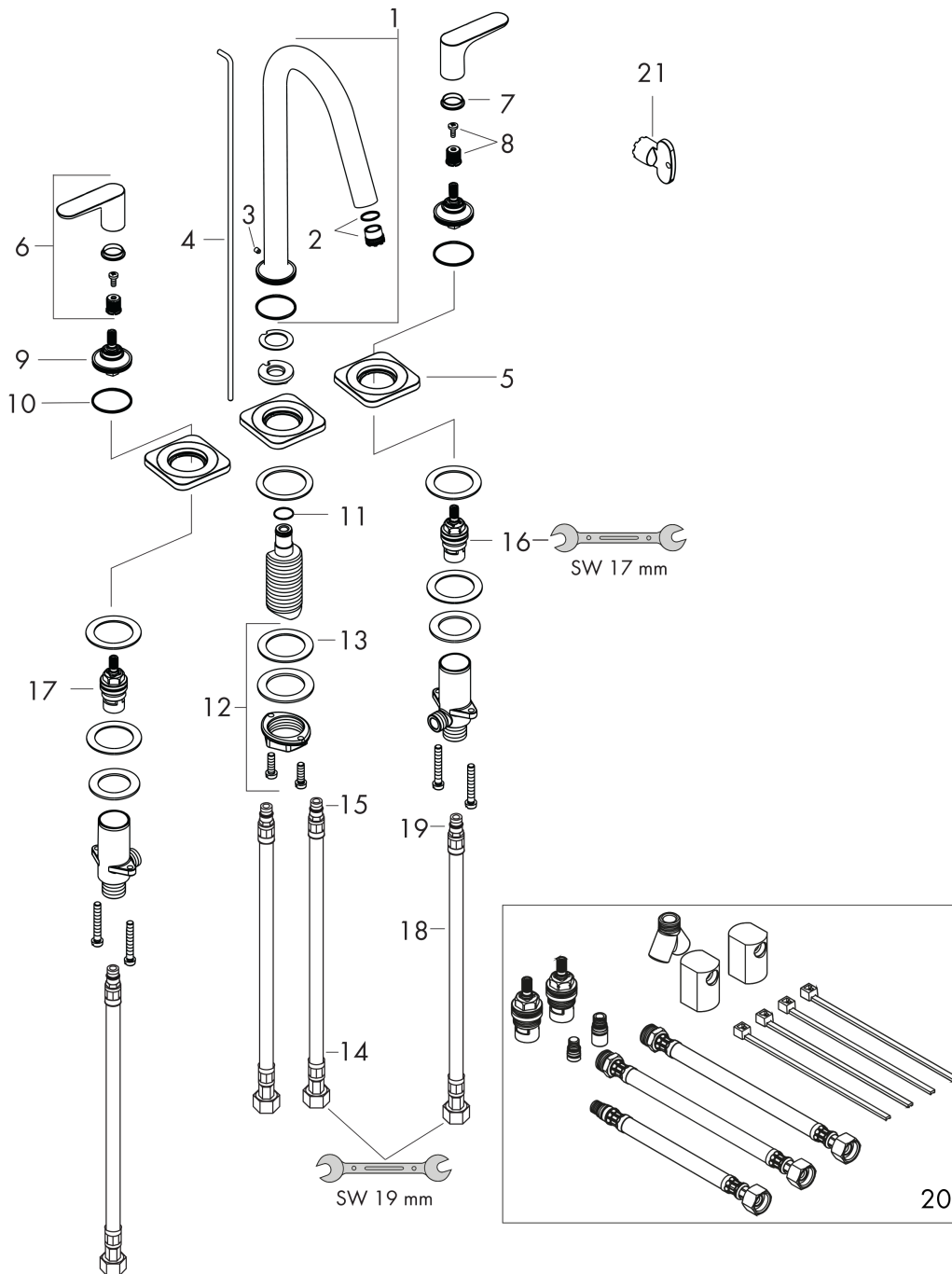
3-hole basin mixer 160 with pop-up waste set, lever handles and escutcheons

Surfaces: chrome Article Number: 34133000



Exploded Drawing

Year of production: >10/10



Axor Citterio M

3-hole basin mixer 160 with pop-up waste set, lever handles and escutcheons

Surfaces: **chrome** Article Number: **34133000**



Spare part list

Year of production: >10/10

| Pos. | Description | Article Number | PC | PU |
|------|---|----------------|----|----|
| 1 | spout cpl. | 98928000 | - | 1 |
| 2 | aerator laminar M16,5x1 (5 l/min) | 95382000 | - | 1 |
| 3 | hollow set screw M4x5 | 92846000 | - | 1 |
| 4 | pull rod | 95701000 | - | 1 |
| 5 | escutcheon | 98930000 | - | 1 |
| 6 | handle | 34095000 | - | 1 |
| 7 | set of color-rings cold / hot water | 98927000 | - | 1 |
| 8 | handle fixing set | 98932000 | - | 1 |
| 9 | nut | 98929000 | - | 1 |
| 10 | O-ring 30x1,5 | 98433000 | - | 1 |
| 11 | O-ring 11x2 | 98127000 | - | 1 |
| 12 | fixing set (Ø 32) | 13961000 | - | 1 |
| 13 | lever collar | 97548000 | - | 1 |
| 14 | connection hose 450 mm M8x0,75 G3/8 | 97206000 | - | 1 |
| 15 | O-ring 7x1,5 | 98422000 | - | 1 |
| 16 | shut off unit left closing | 94008000 | - | 1 |
| 17 | shut off unit right closing | 94009000 | - | 1 |
| 18 | connection hose 450 mm M10x1 G3/8 | 96507000 | - | 1 |
| 19 | O-ring 8x1,75 | 97827000 | - | 1 |
| 20 | Hose extension set for 3-Hole Basin Mixer | 38959000 | - | 1 |
| 21 | special tool | 98987000 | - | 1 |
| a | pop up waste | 94139000 | - | 1 |
| b | fixation extension 35 mm | 13898000 | - | 1 |