

Axor Citterio

3-hole basin mixer for concealed installation with spout 162 mm, lever handles and escutcheons wall-mounted



Surfaces: **chrome** Article Number: **39315000**

Description

product features

- projection 162 mm
- normal spray
- flow rate: 5 l/min
- ceramic valves hot/ cold 90°
- temperature limitation not adjustable
- non-closing flush grated valve
- suitable for continuous flow water heaters
- connection dimension: DN15
- SVGW 1001-5666
- DVGW NW-6501BT0602
- P-IX 9380/IA
- ETA VA 1.42/19070
- ACS 14 ACC NY 363, valide jusqu'au 20.10.2019
- WRAS 1206320
- SINTEF 1425

Mandatory Accessoires

- Basic set for 3-hole basin mixer for concealed installation wall-mounted (#10303XXX)

Optional Accessoires

- Flowstar design trap (#52100XXX)
- Seal (#96383XXX)
- Basic set extension for 3-hole basin mixer for concealed installation wall-mounted (#96259XXX)

Technology



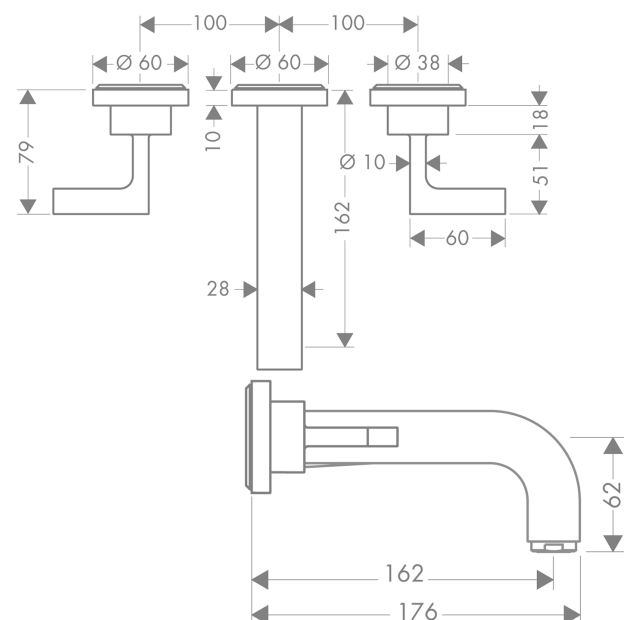
Certificates



Product image



Scale drawing



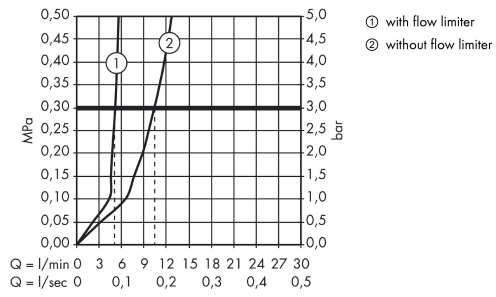
Axor Citterio

3-hole basin mixer for concealed installation with spout 162 mm, lever handles and escutcheons wall-mounted



Surfaces: **chrome** Article Number: **39315000**

Flowchart



Axor Citterio

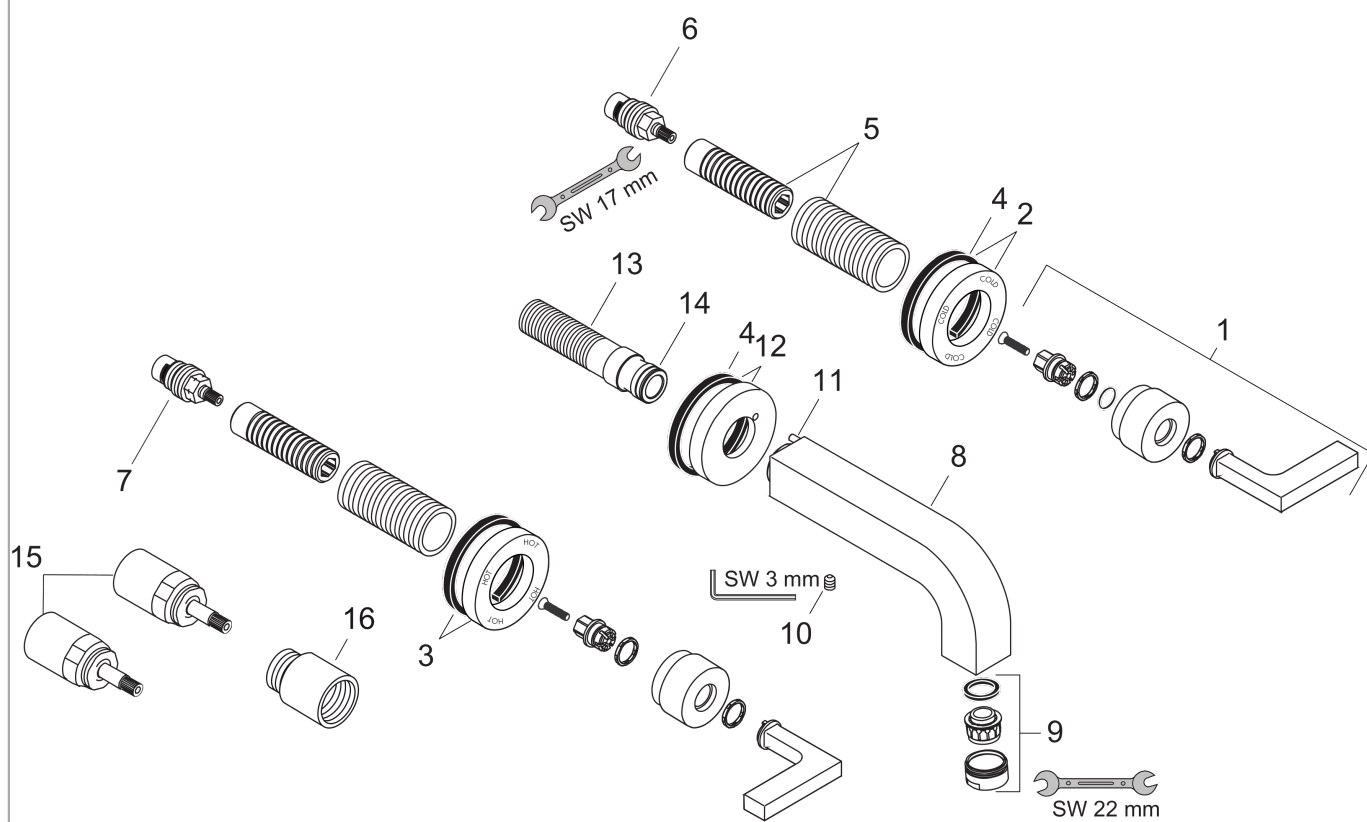
3-hole basin mixer for concealed installation with spout 162 mm, lever handles and escutcheons wall-mounted



Surfaces: **chrome** Article Number: **39315000**

Exploded Drawing

Year of production: >01/10



Axor Citterio

3-hole basin mixer for concealed installation with spout 162 mm, lever handles and escutcheons wall-mounted



Surfaces: **chrome** Article Number: **39315000**

Spare part list

Year of production: >01/10

Pos.	Description	Article Number	PC	PU
1	handle	39296000	-	1
2	escutcheon cold water	96754000	-	1
3	escutcheon hot water	96755000	-	1
4	seal	97530000	-	1
5	fixing set	96392000	-	1
6	shut off unit right closing	96350000	-	1
7	shut off unit left closing	96351000	-	1
8	spout 160 mm	97238000	-	1
9	aerator M24x1 (5 l/min)	13185000	-	1
10	hollow set screw M6x6	97660000	-	1
11	hollow set screw M4x16	97663000	-	1
12	escutcheon for spout	96756000	-	1
13	connecting thread G½	97228000	-	1
14	O-ring 16x2,5	98134000	-	1
15	extension 25 mm	96259000	-	1
16	extension 25 mm	95413000	-	1
a	pop up waste	50001000	-	1
b	concealed item	10303180	-	1
c	mounting-set V+B	96142000	-	1