

Metris S

Electronic basin mixer with temperature pre-adjustment battery-operated

Surfaces: **chrome** Article Number: **31101000**



Description

product features

- projection 128 mm
- infrared sensor technology
- battery operation 6 V (Lithium battery, lifetime approx. 2 years, battery included in scope of delivery)
- battery condition indicator
- temperature pre-adjustable
- temperature limitation adjustable
- ComfortZone 150
- manual water stop for washbasin cleaning
- Hygiene rinse activatable (automatic water flow for 10 seconds every 24 hours following the last operation)
- Permanent rinse activatable (single water flow for 180 seconds, suitable for thermal disinfection)
- theft-proof aerator
- adjustable optical range of infrared sensor (2 settings)
- automatic environmental adjustment of infrared sensor
- flow rate 5 l/min
- dirt filters in the connection hoses
- suitable for continuous flow water heaters
- performance may be impaired if the sensor is obscured by the design of the wash basin, or when the wash basin is oversized and the distance between sensor and the wash basin edge is larger than 75 mm, functional restriction due to too large distance
- scope of supply: with two filter units with fine filter to protect from incoming dirt, for assembly on existing angle valves. Filter element can be removed and cleaned., non-return valve
- connection dimension: DN15
- TÜV certified
- P-IX 18314/IO
- TÜV B 11 10 14237 061
- WELL WA10462-20111024
- ETA VA 1.42/17902
- ACS 13 ACC LY 130, valide jusqu'au 21.03.2017
- Kiwa UK 1503704
- WRAS 1505322
- WRAS 0909018

Technology



Certificates



kiwa

Metris S

Electronic basin mixer with temperature pre-adjustment battery-operated

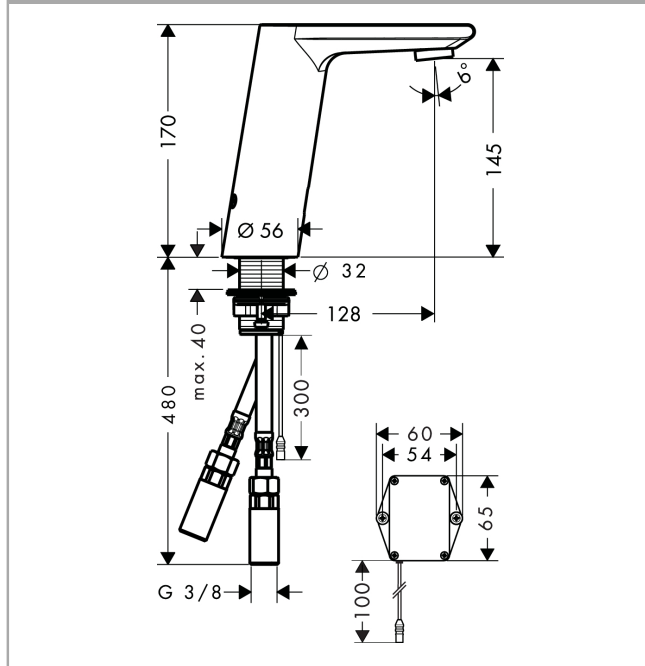
Surfaces: **chrome** Article Number: **31101000**



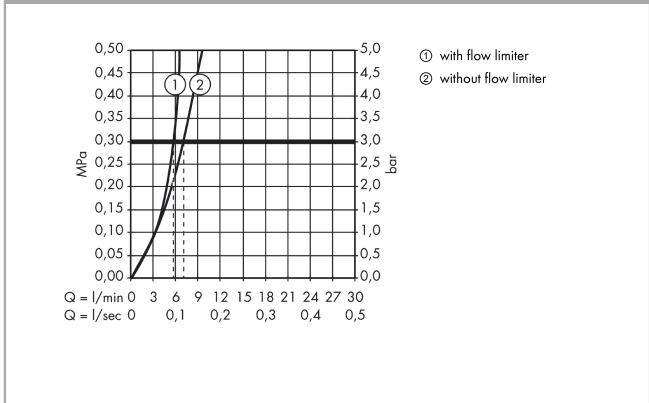
Product image



Scale drawing



Flowchart



Metris S

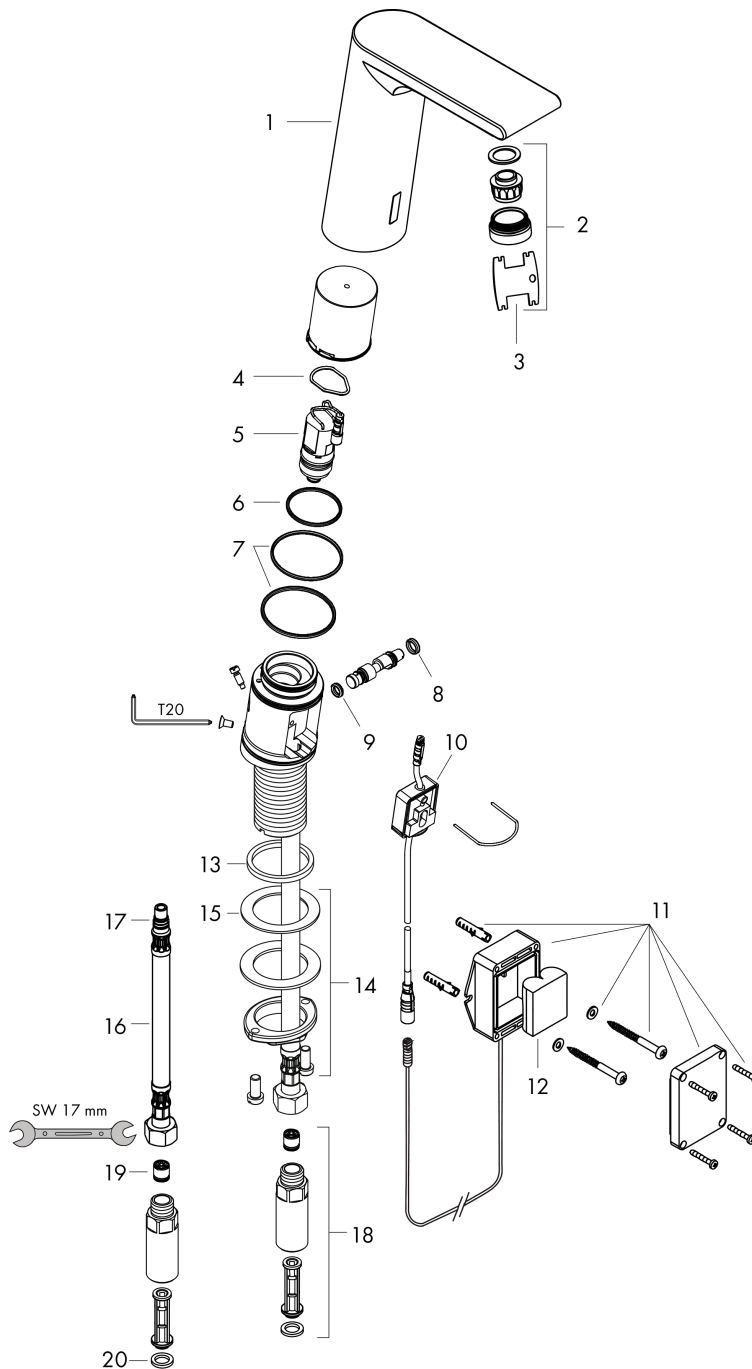
Electronic basin mixer with temperature pre-adjustment battery-operated

Surfaces: **chrome** Article Number: **31101000**



Exploded Drawing

Year of production: >02/16



Metris S

Electronic basin mixer with temperature pre-adjustment battery-operated

Surfaces: **chrome** Article Number: **31101000**



Spare part list

Year of production: >02/16

Pos.	Description	Article Number	PC	PU
1	mixer-hood	92308000	-	1
2	aerator M24x1 (5 l/min)	98802000	-	1
3	service tool	98808000	-	1
4	O-ring 17x2	98199000	-	1
5	solenoid valve	95654000	-	1
6	O-ring 31x2	98204000	-	1
7	O-ring 41x2	98212000	-	1
8	O-ring 6x2	98458000	-	1
9	O-ring 5x2	98215000	-	1
10	electronics	92346000	-	1
11	battery box	98801000	-	1
12	battery	97399000	-	1
13	flat seal	98749000	-	1
14	fixing set (Ø 32)	13961000	-	1
15	lever collar	97548000	-	1
16	connection hose 450 mm	92345000	-	1
17	O-ring 8x1,5	98423000	-	1
18	back flow preventor cartridge with microfilter	92297000	-	1
19	non return valve DW 10	96456000	-	1
20	sealing set	95581000	-	1
a	fixation extension 35 mm	13898000	-	1