

Axor Citterio M
Single lever bidet mixer with pop-up waste set
 Surfaces: **chrome** Article Number: **34210000**



Description

product features

- aerator with ball pivot
- normal spray
- flow rate: 7.2 l/min
- ceramic cartridge
- temperature limitation adjustable
- pop-up waste set G 1¼
- suitable for continuous flow water heaters
- connection dimension: DN15
- SVGW 0811-5462
- DVGW NW-6506BT0646
- P-IX 18742/IO
- ACS 12 ACC LY 352, valide jusqu'au 20.06.2017

Optional Accessoires

- Angle valve with cover (#13954XXX)

Technology



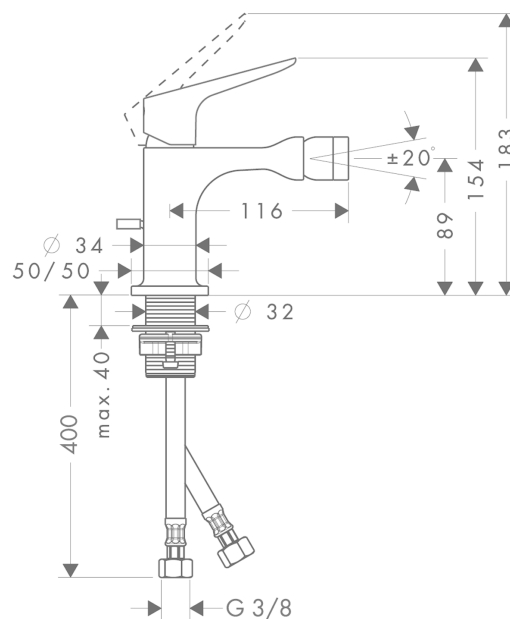
Certificates



Product image



Scale drawing



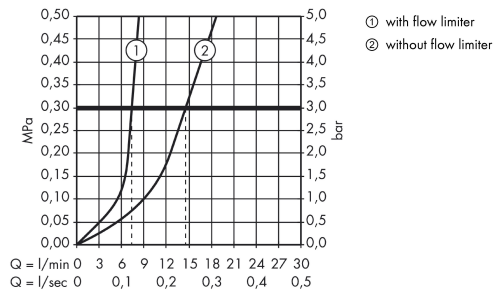
Axor Citterio M

Single lever bidet mixer with pop-up waste set

Surfaces: **chrome** Article Number: **34210000**



Flowchart



Axor Citterio M

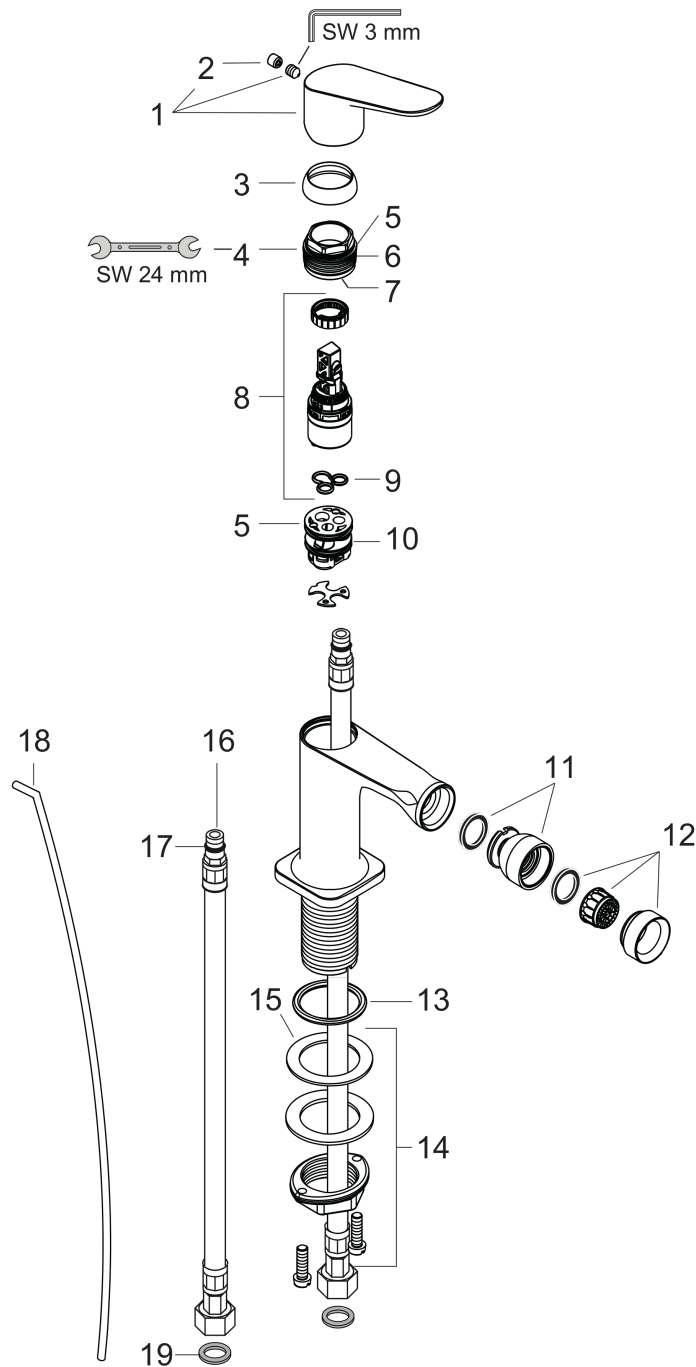
Single lever bidet mixer with pop-up waste set

Surfaces: **chrome** Article Number: **34210000**



Exploded Drawing

Year of production: >02/16



Axor Citterio M

Single lever bidet mixer with pop-up waste set

Surfaces: **chrome** Article Number: **34210000**



Spare part list

Year of production: >02/16

Pos.	Description	Article Number	PC	PU
1	handle	34093000	-	1
2	screw cover	96762000	-	1
3	flange	98863000	-	1
4	nut	98864000	-	1
5	O-ring 23x2	98398000	-	1
6	O-ring 27x1,5	92527000	-	1
7	O-ring 25x1,5	98146000	-	1
8	cartridge, assy	97685000	-	1
9	seal	98865000	-	1
10	adapter for cartridge	98866000	-	1
11	ball joint	96050000	-	1
12	aerator M24x1 (7 l/min)	94005000	-	1
13	lever collar	97548000	-	1
14	fixing set (Ø 32)	13961000	-	1
15	flat seal	98749000	-	1
16	connection hose 450 mm M8x0,75 G3/8	97206000	-	1
17	O-ring 7x1,5	98422000	-	1
18	pull rod	96923000	-	1
19	sealing set	95581000	-	1
a	fixation extension 35 mm	13898000	-	1
b	pop up waste	94139000	-	1