

Focus

Single lever kitchen mixer 160

Surfaces: **chrome** Article Number: **31806000**



Description

product features

- ComfortZone 160
- swivel range 360°
- normal spray
- connection dimension: DN15
- flow rate 12 l/min
- ceramic cartridge
- connection type: G 3/8 connections
- suitable for continuous flow water heaters
- SVGW 0706-5234
- DVGW NW-6506BR5780
- P-IX 18304/IA
- ETA VA 1.42/19796
- ACS 12 ACC LY 352, valide jusqu'au 20.06.2017
- Kiwa K6161_Mechanical Mixers EN817
- SINTEF 1744

Technology



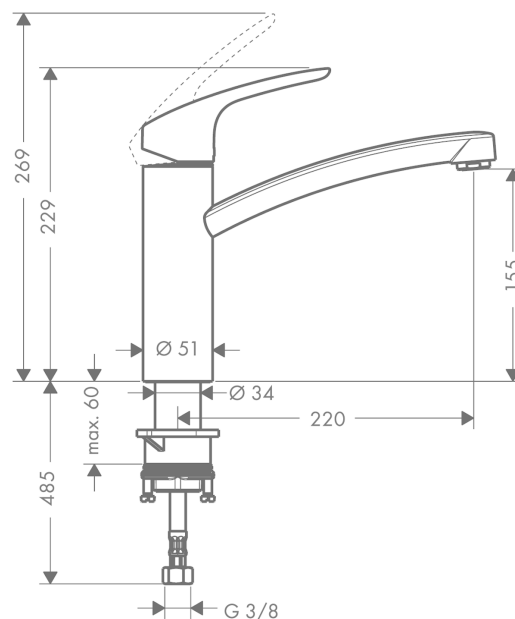
Certificates



Product image



Scale drawing



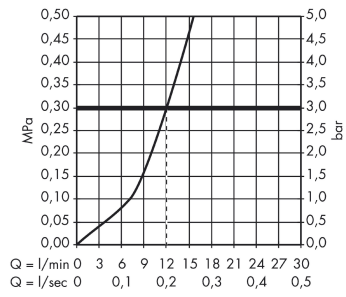
Focus

Single lever kitchen mixer 160

Surfaces: **chrome** Article Number: **31806000**



Flowchart



Focus

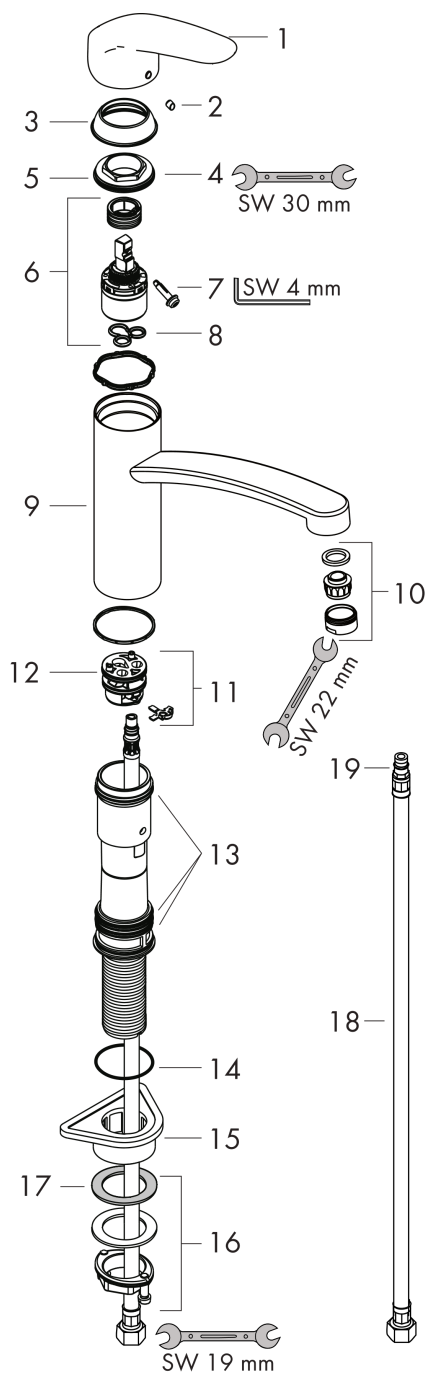
Single lever kitchen mixer 160

Surfaces: **chrome** Article Number: **31806000**



Exploded Drawing

Year of production: >10/09



Focus
Single lever kitchen mixer 160

 Surfaces: **chrome** Article Number: **31806000**

Spare part list

Year of production: >10/09

Pos.	Description	Article Number	PC	PU
1	handle	95543000	-	1
2	screw cover	96338000	-	1
3	flange	97995000	-	1
4	nut	97996000	-	1
5	O-ring 41x2	98212000	-	1
6	cartridge, assy	92730000	-	1
7	locking screw for handle	96059000	-	1
8	seal	95008000	-	1
9	spout cpl.	98349000	-	1
10	aerator M24x1 (15 l/min)	13913000	-	1
11	adapter for cartridge	98750000	-	1
12	O-Ring 30x2	98186000	-	1
13	sealing set	98702000	-	1
14	O-Ring 36x2,5	98190000	-	1
15	support	97523000	-	1
16	fixing set (Ø 34)	95049000	-	1
17	lever collar	97548000	-	1
18	connection hose 600 mm M8x0,75 G3/8	96556000	-	1
19	O-ring 7x1,5	98422000	-	1