

Axor ShowerCollection

Basic set/ waterconducting unit for shelf for concealed installation 12 x 12

Surfaces: n.a. Article Number: 40877180



Description

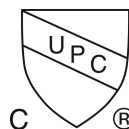
product features

- in a joined installation it serves as a waterconducting unit, allows dimensionally accurate positioning. In combination with: no.40872000
- ACS 11 ACC LY 006, valide jusqu'au 06.01.2016

Optional Accessoires

- Shelf for concealed installation 12 x 12 (#40872XXX)

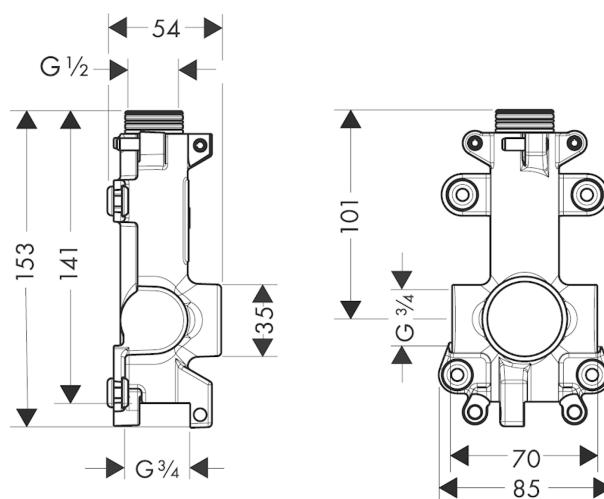
Certificates



Product image



Scale drawing



Axor ShowerCollection

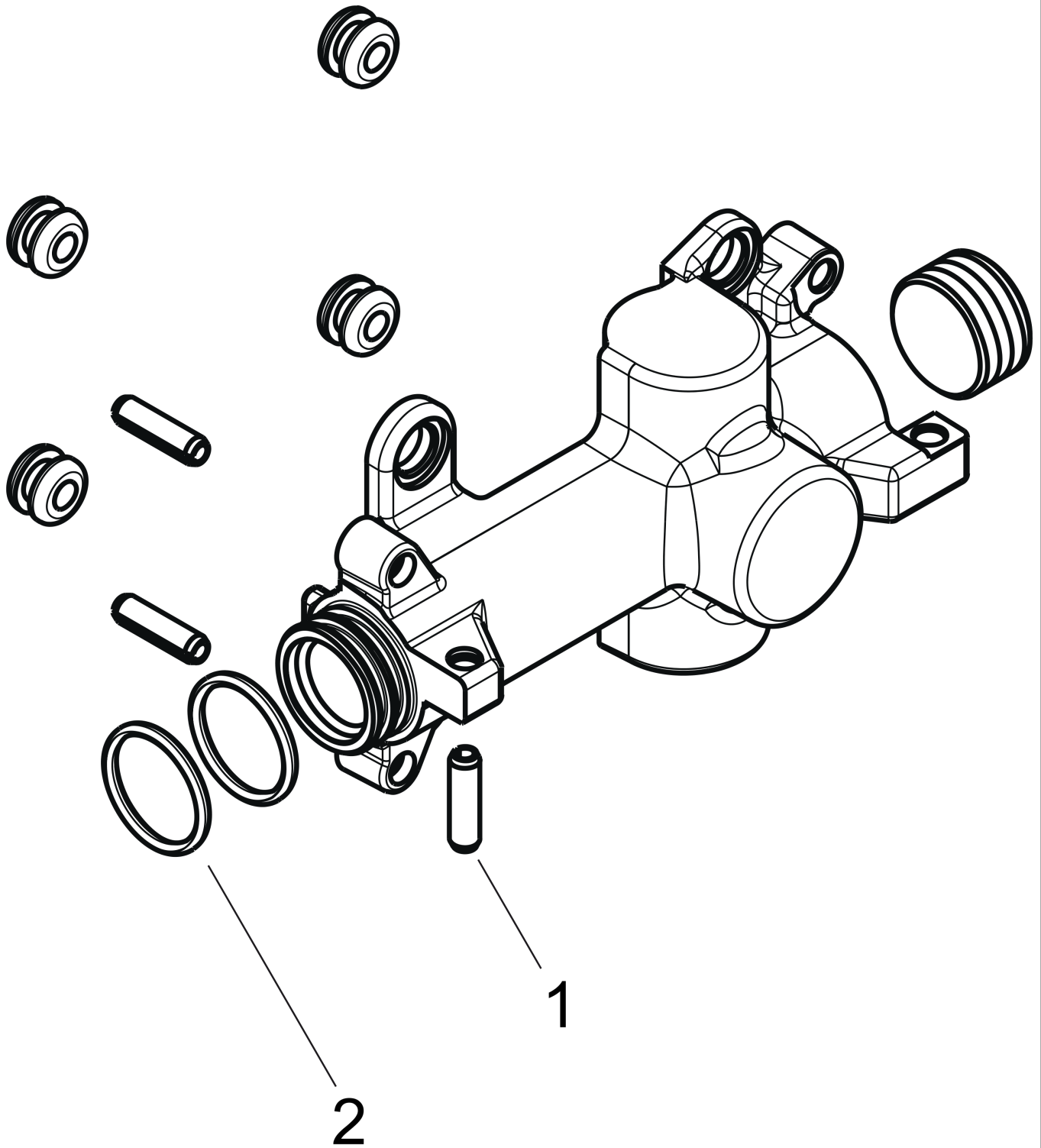
Basic set/ waterconducting unit for shelf for concealed installation 12 x 12

Surfaces: n.a. Article Number: 40877180



Exploded Drawing

Year of production: >01/09



Axor ShowerCollection

Basic set/ waterconducting unit for shelf for concealed installation 12 x 12

Surfaces: n.a. Article Number: 40877180



Spare part list

Year of production: >01/09

Pos.	Description	Article Number	PC	PU
1	O-Ring 23x2,5	98183000	-	1
2	pin	95334000	-	1