

Axor ShowerCollection

Shelf for concealed installation 24 x 12

Surfaces: **chrome** Article Number: **40873000**



Description

product features

- material: metal
- when positioning the shelf between waterconducting parts (no.10755000, no.10751000, no.10942000, no.10972000, no.10651000, no.28491000) in joined installation (10 mm distance), it is recommended to use basic set no.40878180
- suitable for installation with or without basic set no.40877180

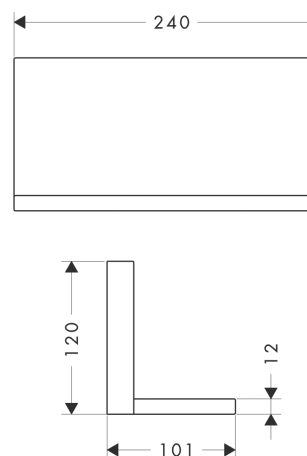
Optional Accessoires

- Basic set/ waterconducting unit for shelf for concealed installation 24 x 12 (#40878XXX)

Product image



Scale drawing



Axor ShowerCollection

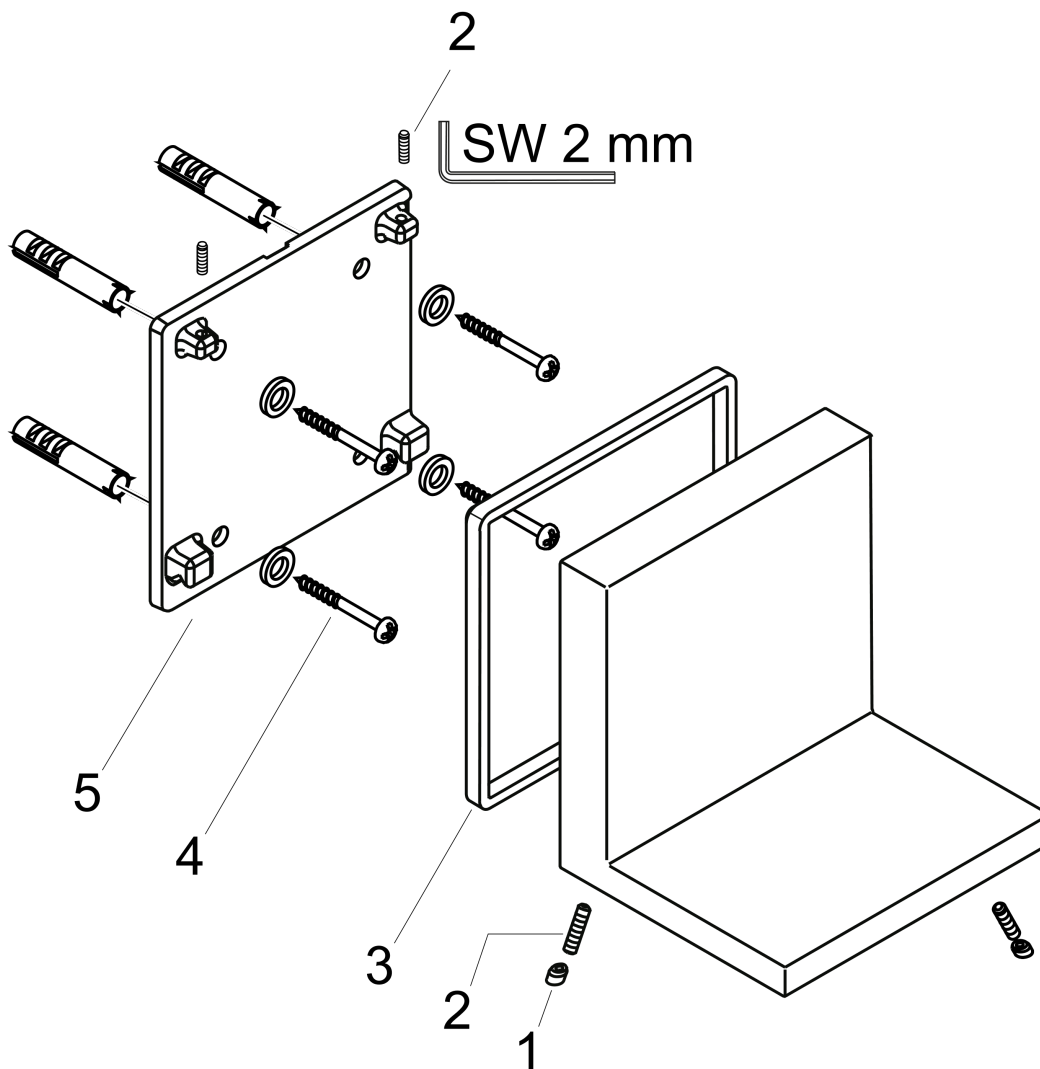
Shelf for concealed installation 24 x 12

Surfaces: **chrome** Article Number: **40873000**



Exploded Drawing

Year of production: >01/09



Axor ShowerCollection

Shelf for concealed installation 24 x 12

Surfaces: **chrome** Article Number: **40873000**



Spare part list

Year of production: >01/09

Pos.	Description	Article Number	PC	PU
1	screw cover	96338000	-	1
2	hollow set screw M4x16	97663000	-	1
3	seal	97737000	-	1
4	mounting set	96179000	-	1
5	support element	95312000	-	1