

Axor Uno

Thermostatic mixer for concealed installation with shut-off valve

Surfaces: **chrome** Article Number: **38700000**



Description

product features

- 1 outlet
- thermostat cartridge, ceramic valves 90°
- safety lock at 38° C
- temperature limitation adjustable
- flow rate: 30 l/min
- operating pressure: min. 0.1 MPa / max. 1.0 MPa
- scope of supply: metal escutcheon, handle, sleeve, mixing unit
- non-return valve
- with silencer
- SVGW 0411-4902
- PA-IX 9711/ID
- ETA VA 1.43/18753
- ACS 13 ACC LY 756, valide jusqu'au 05.11.2018
- MCA 1300008
- TMV2 BC488/0809
- TMV3 BC487/0709
- TMV2 BC1364/0314
- TMV3 BC1365/0314
- WRAS 1311024
- Kiwa K11292_Thermostatic mixers
- SINTEF 3088

Mandatory Accessoires

- iBox universal Basic with pre-mounted angle connection G1/2 (#01810XXX)
- Basic set iBox universal (#01800XXX)

Optional Accessoires

- Extension escutcheon round two hole arrow (#14963XXX)
- iBox universal basic set extension 25 mm (#13595XXX)
- Fastening rail set for iBox universal (#96615XXX)

Certificates



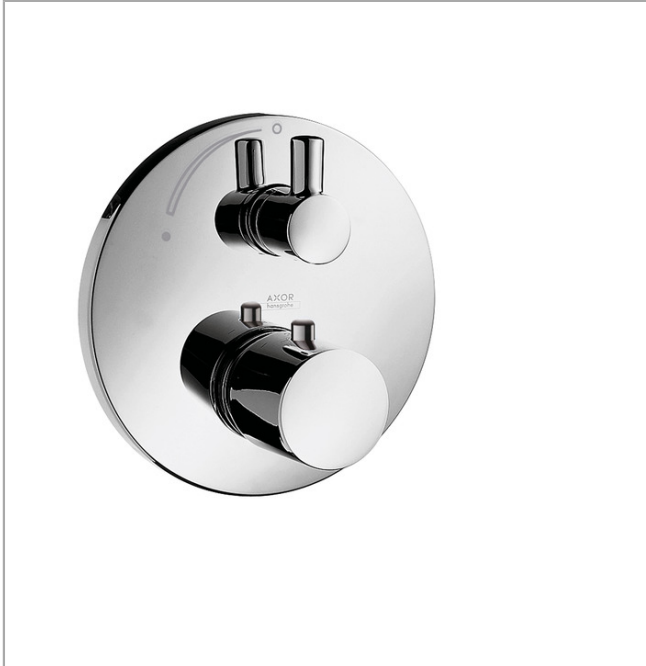
Axor Uno

Thermostatic mixer for concealed installation with shut-off valve

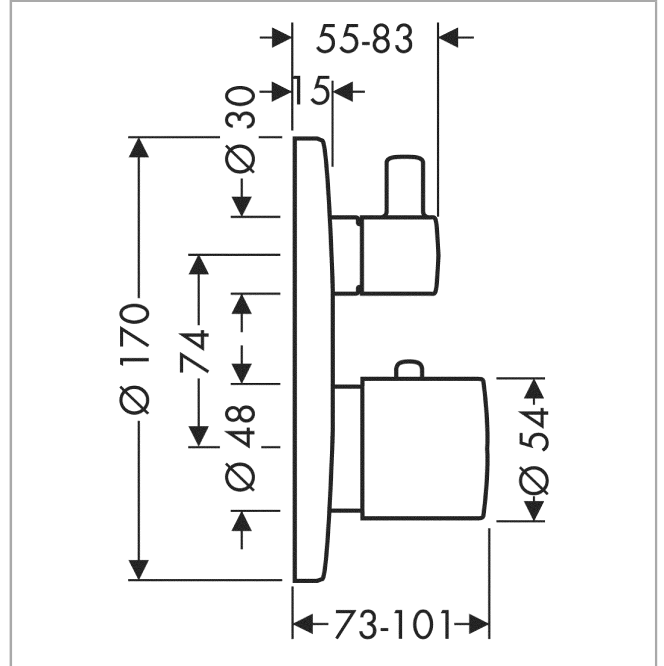
Surfaces: **chrome** Article Number: **38700000**



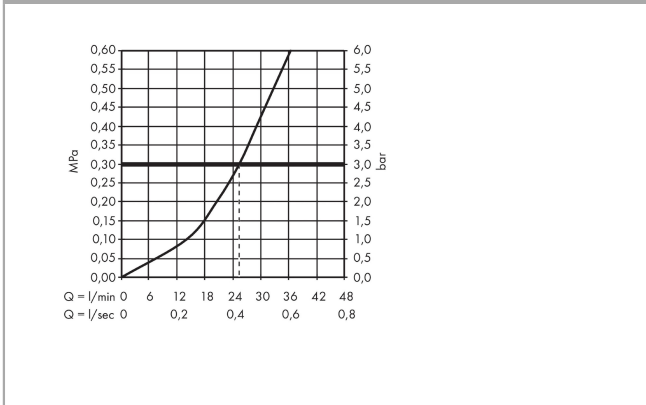
Product image



Scale drawing



Flowchart



Axor Uno

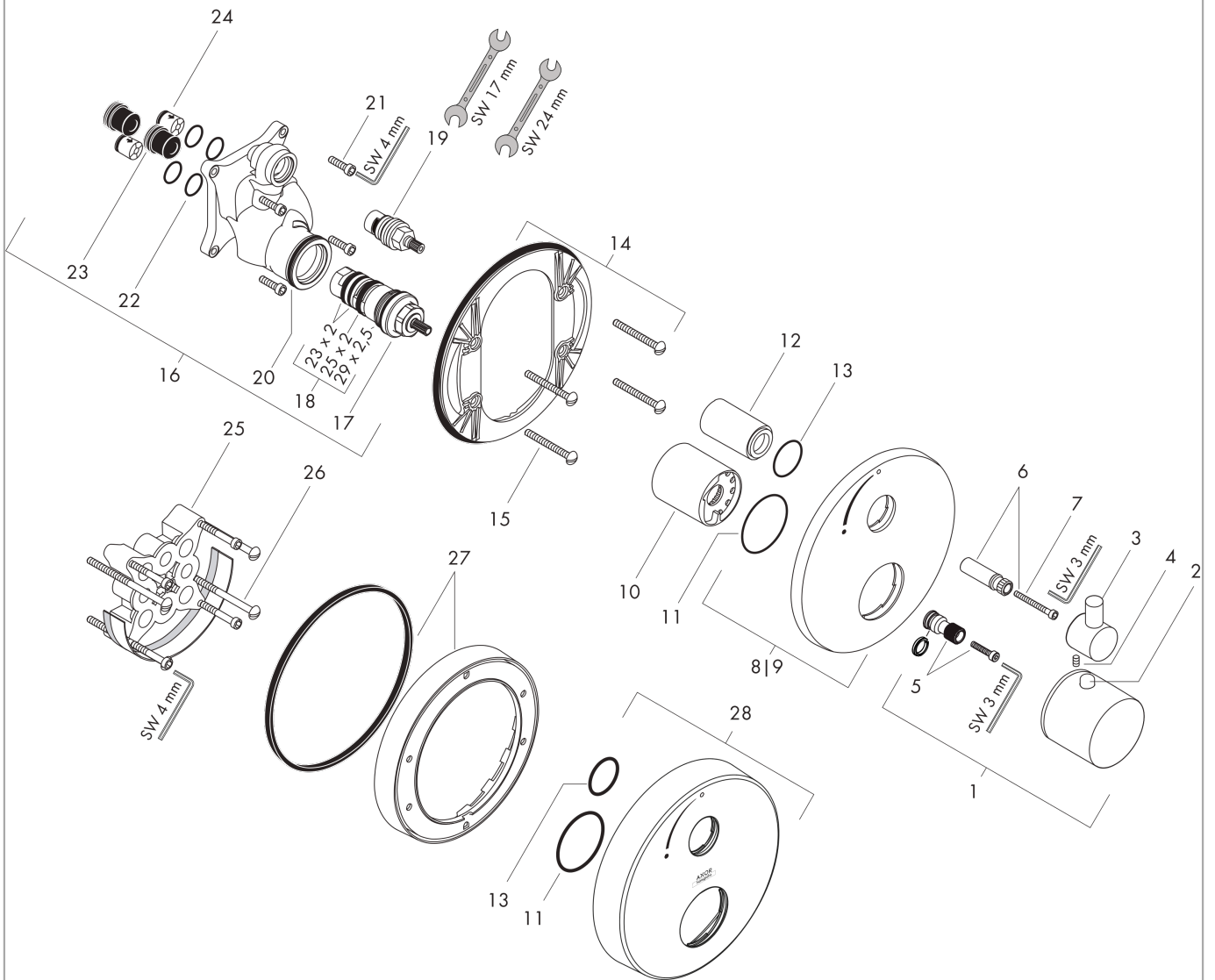
Thermostatic mixer for concealed installation with shut-off valve

Surfaces: **chrome** Article Number: **38700000**



Exploded Drawing

Year of production: >09/12



Axor Uno

Thermostatic mixer for concealed installation with shut-off valve

Surfaces: **chrome** Article Number: **38700000**



Spare part list

Year of production: >09/12

| Pos. | Description | Article Number | PC | PU |
|------|---|----------------|----|----|
| 1 | handle for thermostat | 38391000 | - | 1 |
| 2 | pushbutton | 97792000 | - | 1 |
| 3 | handle | 96421000 | - | 1 |
| 4 | hollow set screw M4x8 | 97669000 | - | 1 |
| 5 | adapter for handle | 96435000 | - | 1 |
| 6 | adapter for handle | 96451000 | - | 1 |
| 7 | hexagon socket screw M4x35 | 92160000 | - | 1 |
| 8 | escutcheon Ø 170 mm | 95804000 | - | 1 |
| 9 | escutcheon for exchanged connections | 97193000 | - | 1 |
| 10 | sleeve | 96439000 | - | 1 |
| 11 | O-Ring 48x3 | 95508000 | - | 1 |
| 12 | sleeve | 96446000 | - | 1 |
| 13 | O-ring 29x3 | 98371000 | - | 1 |
| 14 | sub plate | 96447000 | - | 1 |
| 15 | set of fixing screws | 96454000 | - | 1 |
| 16 | installation unit cpl. | 92760000 | - | 1 |
| 17 | thermostat cartridge | 94282000 | - | 1 |
| 18 | sealing set | 95037000 | - | 1 |
| 19 | shut off unit right closing | 94009000 | - | 1 |
| 20 | O-ring 39x2 | 98158000 | - | 1 |
| 21 | set of screws | 96525000 | - | 1 |
| 22 | O-ring 16x2 | 98133000 | - | 1 |
| 23 | noise reduction | 94073000 | - | 1 |
| 24 | set of non return valves DW 15 | 94074000 | - | 1 |
| 25 | extension 25 mm | 13595000 | - | 1 |
| 26 | set of fixing screws | 97747000 | - | 1 |
| 27 | extension 22 mm (Ø 170 mm) | 13596000 | - | 1 |
| 28 | escutcheon height = 33 mm (when wall is not deep enough). | 14963000 | - | 1 |
| a | concealed item | 01800180 | - | 1 |
| b | pushbutton red | 97212000 | - | 1 |
| c | non return valve with filter | 92499000 | - | 1 |