

Axor Uno

Thermostatic mixer for concealed installation with shut-off/ diverter valve

Surfaces: **chrome** Article Number: **38720000**



Description

product features

- 2 outlets
- thermostat cartridge, shut-off valve
- safety lock at 38° C
- temperature limitation adjustable
- flow rate: 30 l/min
- operating pressure: min. 0.1 MPa / max. 1.0 MPa
- scope of supply: metal escutcheon, handle, sleeve, mixing unit
- non-return valve
- with silencer
- DVGW NW-6509BT0550
- PA-IX 9062/IAA
- ETA VA 1.43/18753
- ACS 13 ACC LY 756, valide jusqu'au 05.11.2018
- MCA 1300009
- TMV2 BC556/0410
- TMV3 BC1296/0913
- TMV2 BC1360/0314
- WRAS 1311025
- Kiwa K11292_Thermostatic mixers
- SINTEF 3088

Mandatory Accessoires

- Basic set iBox universal (#01800XXX)
- iBox universal Basic with pre-mounted angle connection G1/2 (#01810XXX)

Optional Accessoires

- Extension escutcheon round two hole 0-1-2 (#14962XXX)
- iBox universal basic set extension 25 mm (#13595XXX)
- Fastening rail set for iBox universal (#96615XXX)

Certificates



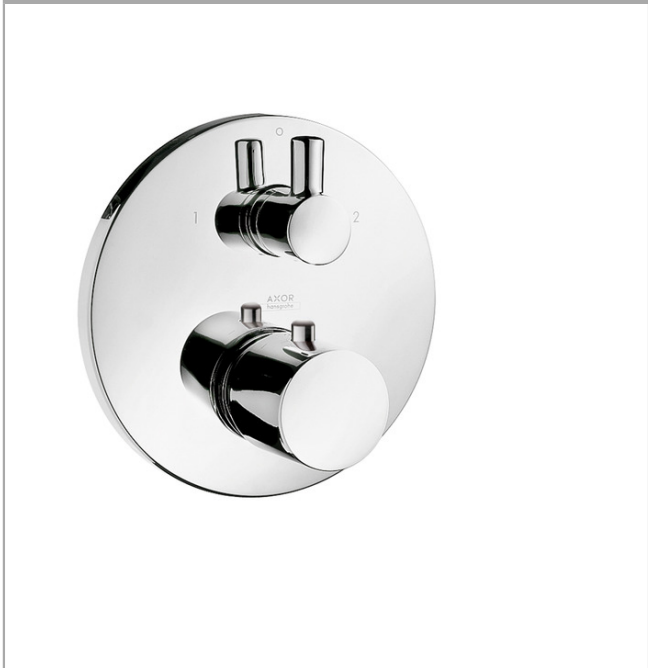
Axor Uno

Thermostatic mixer for concealed installation with shut-off/ diverter valve

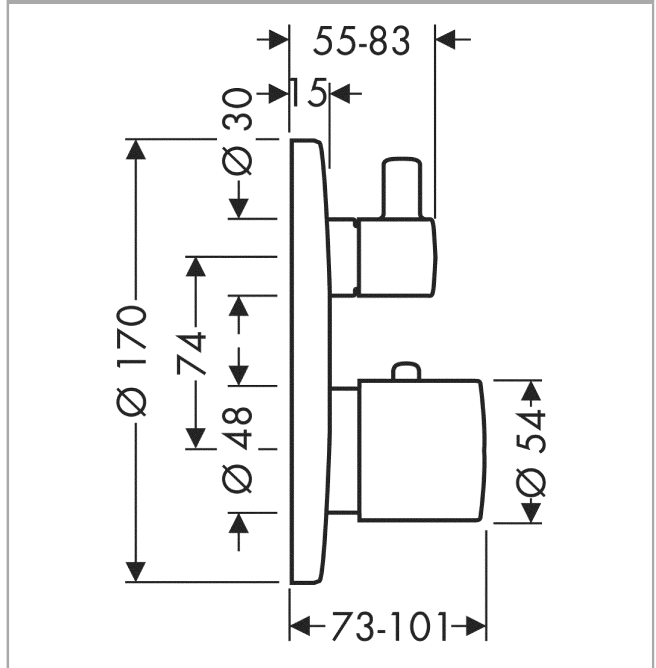
Surfaces: **chrome** Article Number: **38720000**



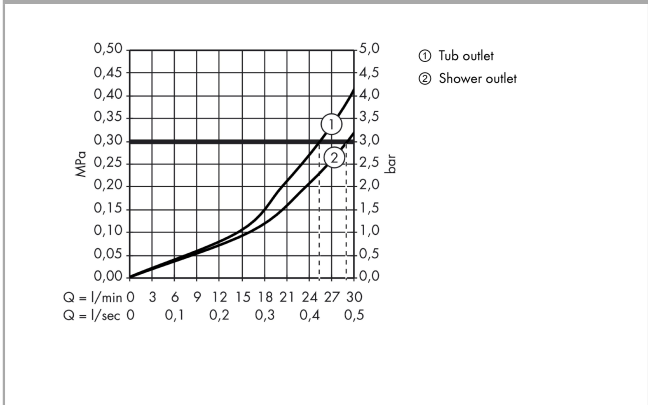
Product image



Scale drawing



Flowchart



Axor Uno

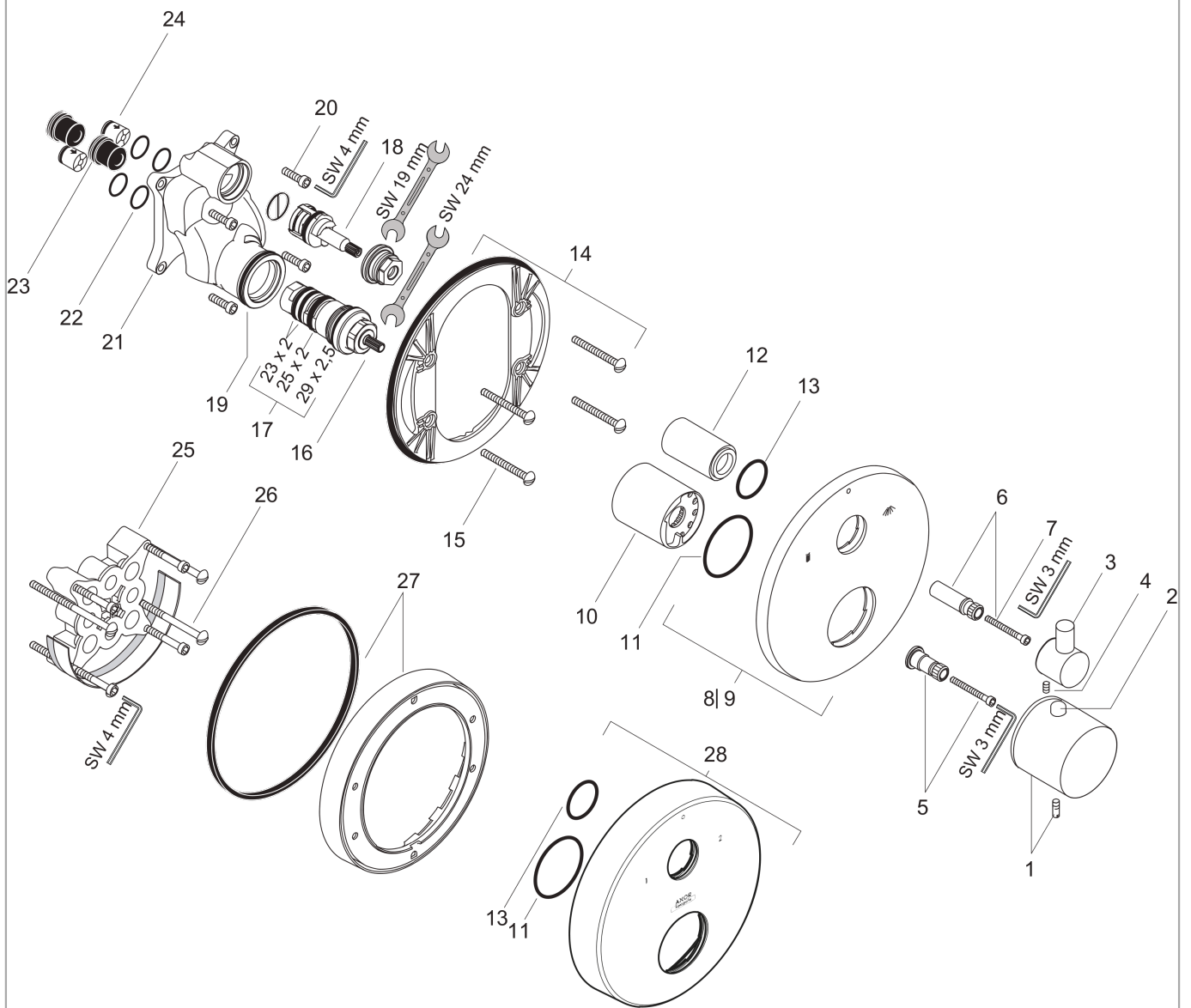
Thermostatic mixer for concealed installation with shut-off/ diverter valve

Surfaces: **chrome** Article Number: **38720000**



Exploded Drawing

Year of production: >09/12



Axor Uno

Thermostatic mixer for concealed installation with shut-off/ diverter valve

Surfaces: **chrome** Article Number: **38720000**



Spare part list

Year of production: >09/12

Pos.	Description	Article Number	PC	PU
1	handle for thermostat	38391000	-	1
2	pushbutton	97792000	-	1
3	handle	96421000	-	1
4	hollow set screw M4x8	97669000	-	1
5	adapter for handle	96435000	-	1
6	adapter for handle	96451000	-	1
7	hexagon socket screw M4x35	92160000	-	1
8	escutcheon Ø 170 mm	95805000	-	1
9	escutcheon for exchanged connections	97193000	-	1
10	sleeve	96439000	-	1
11	O-Ring 48x3	95508000	-	1
12	sleeve	96446000	-	1
13	O-ring 29x3	98371000	-	1
14	sub plate	96447000	-	1
15	set of fixing screws	96454000	-	1
16	thermostat cartridge	94282000	-	1
17	sealing set	95037000	-	1
18	shut off unit with selector	96509000	-	1
19	O-ring 39x2	98158000	-	1
20	set of screws	96525000	-	1
21	installation unit cpl.	92591000	-	1
22	O-ring 16x2	98133000	-	1
23	noise reduction	94073000	-	1
24	set of non return valves DW 15	94074000	-	1
25	extension 25 mm	13595000	-	1
26	set of fixing screws	97747000	-	1
27	extension 22 mm (Ø 170 mm)	13596000	-	1
28	escutcheon height = 33 mm (when wall is not deep enough).	14962000	-	1
a	concealed item	01800180	-	1
b	pushbutton red	97212000	-	1
c	non return valve with filter	92499000	-	1