

Axor Citterio

Trio/ Quattro shut-off/ diverter valve for concealed installation with cross handle

Surfaces: **chrome** Article Number: **39925000**



Description

product features

- scope of supply: metal escutcheon, handle, sleeve
- SVGW 0904-5541
- WRAS 1207329

Mandatory Accessoires

- Basic set for Trio shut-off/ diverter valve for concealed installation (#15981XXX)
- Basic set for Quattro four-way diverter valve for concealed installation (#15930XXX)

Optional Accessoires

- Extension set 25 mm (#96370XXX)

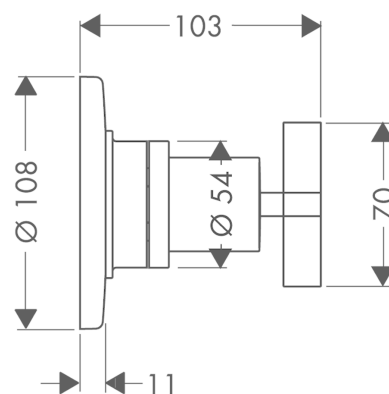
Certificates



Product image



Scale drawing



Axor Citterio

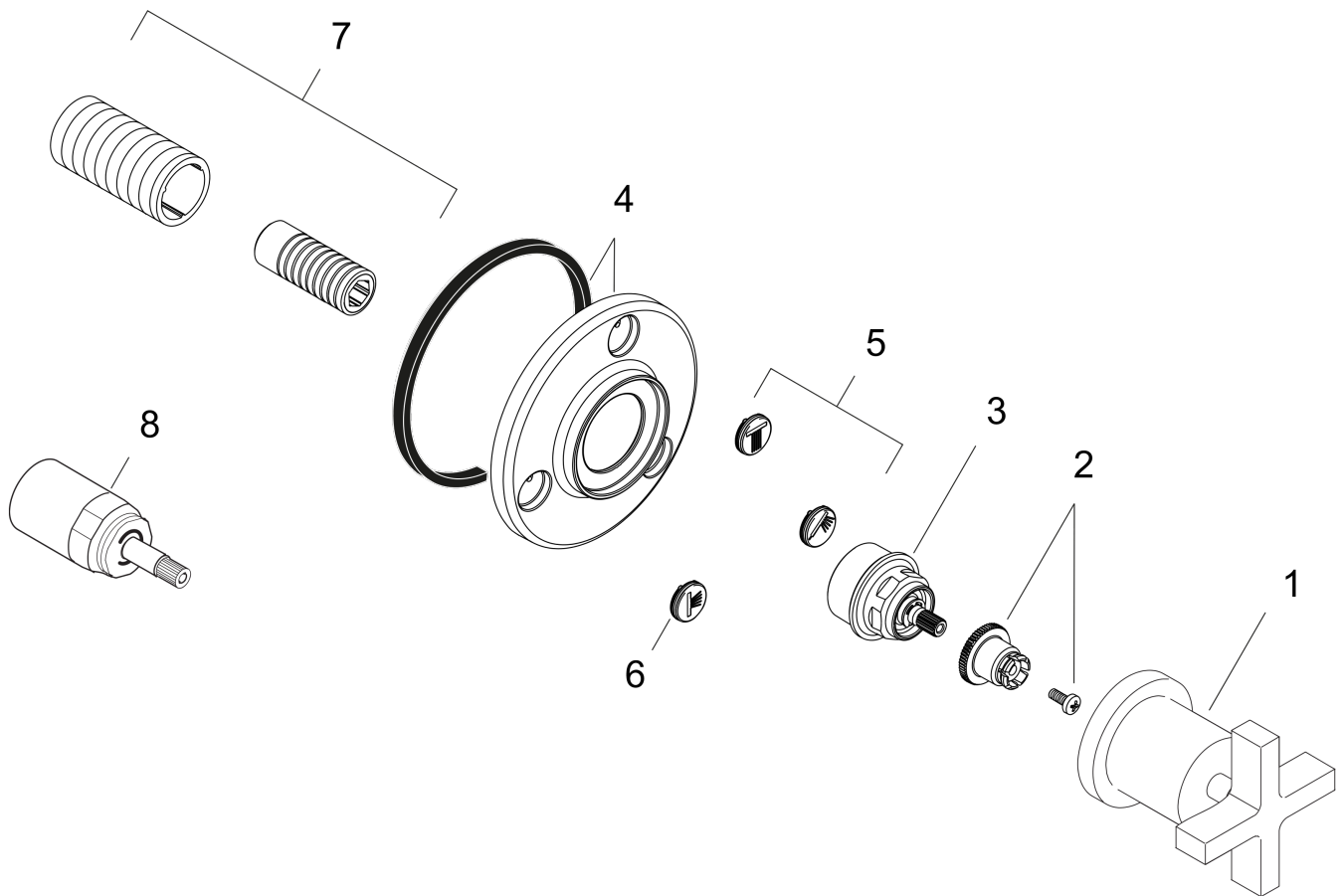
Trio/ Quattro shut-off/ diverter valve for concealed installation with cross handle

Surfaces: **chrome** Article Number: **39925000**



Exploded Drawing

Year of production: >04/11



Axor Citterio

Trio/ Quattro shut-off/ diverter valve for concealed installation with cross handle

Surfaces: **chrome** Article Number: **39925000**



Spare part list

Year of production: >04/11

Pos.	Description	Article Number	PC	PU
1	handle	39995000	-	1
2	handle fixing set	94184000	-	1
3	nut	98677000	-	1
4	escutcheon Ø 108 mm	95807000	-	1
5	set of symbols	95238000	-	1
6	O-ring 13x2	98128000	-	1
7	fixing set	96392000	-	1
8	extension 25 mm	96370000	-	1