

## Axor Citterio

Trio/ Quattro shut-off/ diverter valve for concealed installation with lever handle

Surfaces: **chrome** Article Number: **39920000**



### Description

#### product features

- scope of supply: metal escutcheon, handle, sleeve
- SVGW 0904-5541
- WRAS 1207329

#### Mandatory Accessoires

- Basic set for Trio shut-off/ diverter valve for concealed installation (#15981XXX)
- Basic set for Quattro four-way diverter valve for concealed installation (#15930XXX)

#### Optional Accessoires

- Extension set 25 mm (#96370XXX)

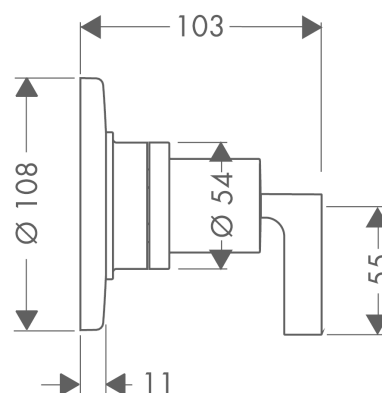
### Certificates



### Product image



### Scale drawing



## Axor Citterio

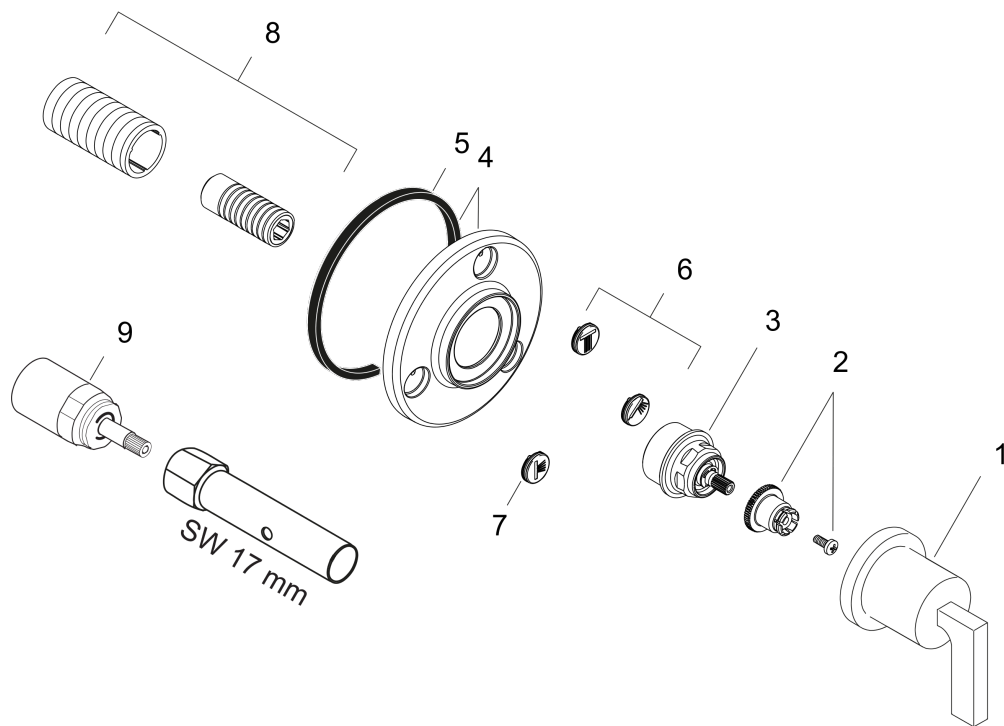
Trio/ Quattro shut-off/ diverter valve for concealed installation with lever handle

Surfaces: **chrome** Article Number: **39920000**



### Exploded Drawing

Year of production: >04/11



## Axor Citterio

Trio/ Quattro shut-off/ diverter valve for concealed installation with lever handle

Surfaces: **chrome** Article Number: **39920000**



### Spare part list

Year of production: >04/11

Pos.	Description	Article Number	PC	PU
1	handle	39993000	-	1
2	handle fixing set	94184000	-	1
3	nut	98677000	-	1
4	escutcheon Ø 108 mm	95807000	-	1
5	seal	97737000	-	1
6	set of symbols	95238000	-	1
7	O-ring 13x2	98128000	-	1
8	fixing set	96392000	-	1
9	extension 25 mm	96370000	-	1