

Axor Citterio M

Thermostatic bath mixer for exposed installation

Surfaces: **chrome** Article Number: **34435000**



Description

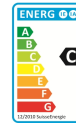
product features

- projection 185 mm
- 2 outlets
- thermostat cartridge, shut-off/ diverter valve
- safety lock at 40° C
- temperature limitation adjustable
- flow rate: 20 l/min
- operating pressure: min. 0.1 MPa / max. 1.0 MPa
- spray type: normal spray
- non-return valve
- with silencer
- centre distance: 150 ± 16 mm
- scope of supply: escutcheons
- connection dimension: DN15
- connection type: s-shaped connections
- SVGW 0905-5564
- DVGW NW-6509BT0642
- PA-IX 18987/ICB
- ACS 14 ACC NY 165, valide jusqu'au 05.06.2019
- Kiwa UK 1001701
- MCA 1100007
- TMV2 BC1110/1212
- WRAS 1507303
- WRAS 1001307
- Kiwa K11292_Thermostatic mixers

Technology



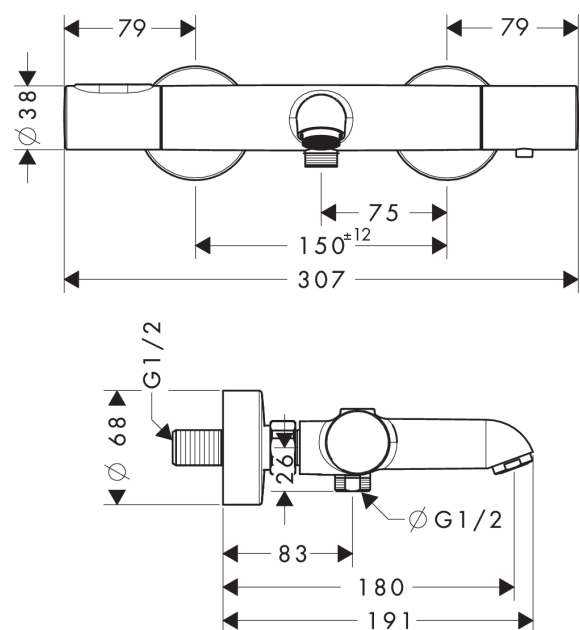
Certificates



Product image



Scale drawing



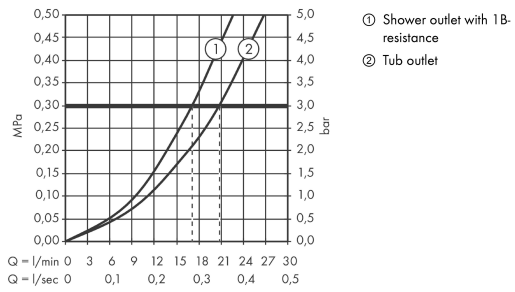
Axor Citterio M

Thermostatic bath mixer for exposed installation

Surfaces: **chrome** Article Number: **34435000**



Flowchart



Axor Citterio M

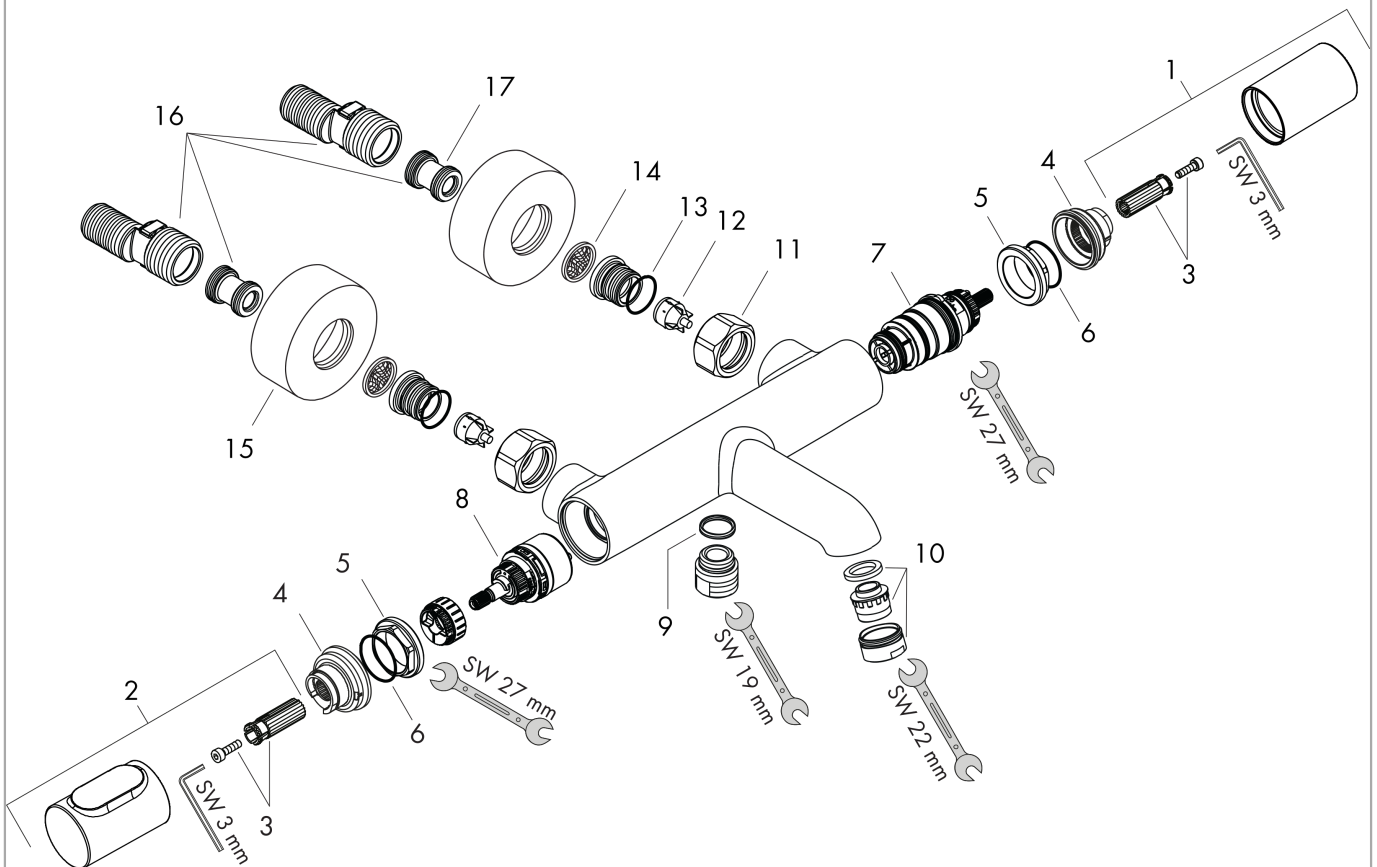
Thermostatic bath mixer for exposed installation

Surfaces: **chrome** Article Number: **34435000**



Exploded Drawing

Year of production: >04/13



Axor Citterio M

Thermostatic bath mixer for exposed installation

Surfaces: **chrome** Article Number: **34435000**



Spare part list

Year of production: >04/13

Pos.	Description	Article Number	PC	PU
1	handle for thermostat	98287000	-	1
2	handle	98288000	-	1
3	handle fixing set	98290000	-	1
4	safety set	98289000	-	1
5	nut	98913000	-	1
6	O-ring 26x1,5	98390000	-	1
7	thermostat cartridge	98282000	-	1
8	shut off unit with selector	98283000	-	1
9	O-ring 14x2	98129000	-	1
10	aerator M24x1 (30 l/min)	96512000	-	1
11	set of nuts	96157000	-	1
12	non return valve	96737000	-	1
13	O-ring 17x1,5	98137000	-	1
14	filter packing	96922000	-	1
15	escutcheon Ø 68 mm	96467000	-	1
16	set of S-unions (±12 mm)	94140000	-	1
17	noise reduction	96429000	-	1
a	pushbutton	92848000	-	1
b	set of S-unions (±32 mm)	98592000	-	1
c	conversion kit	98328000	-	1