

## Metris S

Single lever bath mixer for exposed installation

Surfaces: **chrome** Article Number: **31460000**



### Description

#### product features

- projection 167.5 - 175 mm
- connection type: s-shaped connections
- centre distance: 150 mm
- normal spray
- flow rate hand shower connection at 0.3 MPa: 16 l/min
- flow rate bath filler (at 0.3 MPa): 22 l/min
- ceramic cartridge
- temperature limitation adjustable
- with automatic resetting
- non-return valve
- with silencer
- connection dimension: DN15
- SVGW 0601-5046
- DVGW NW-6506BR5787
- PA-IX 9952/ICB
- ETA VA 1.42/18424
- ACS 11 ACC LY 094, valide jusqu'au 10.06.2016
- WRAS 1203311
- Kiwa K6161\_Mechanical Mixers EN817
- SINTEF 1435

### Technology



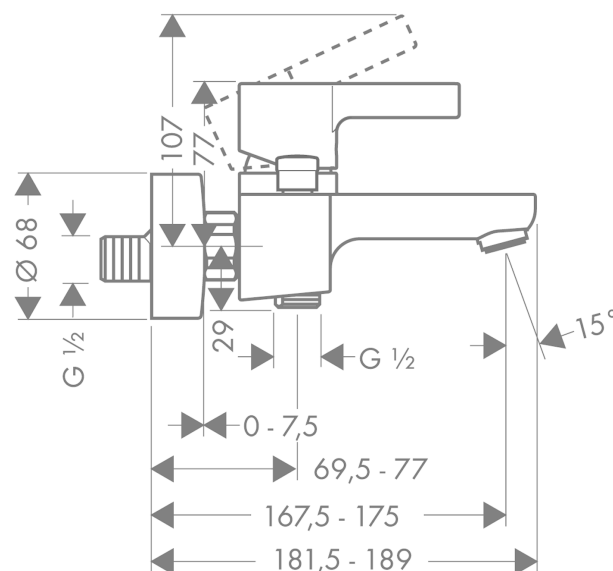
### Certificates



### Product image



### Scale drawing



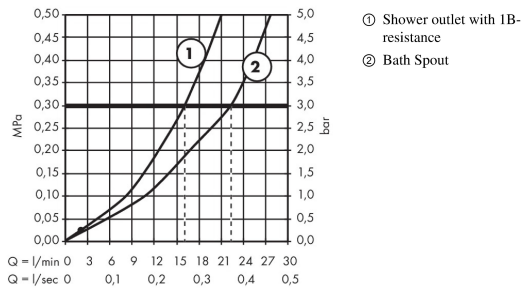
## Metris S

Single lever bath mixer for exposed installation

Surfaces: **chrome** Article Number: **31460000**



### Flowchart

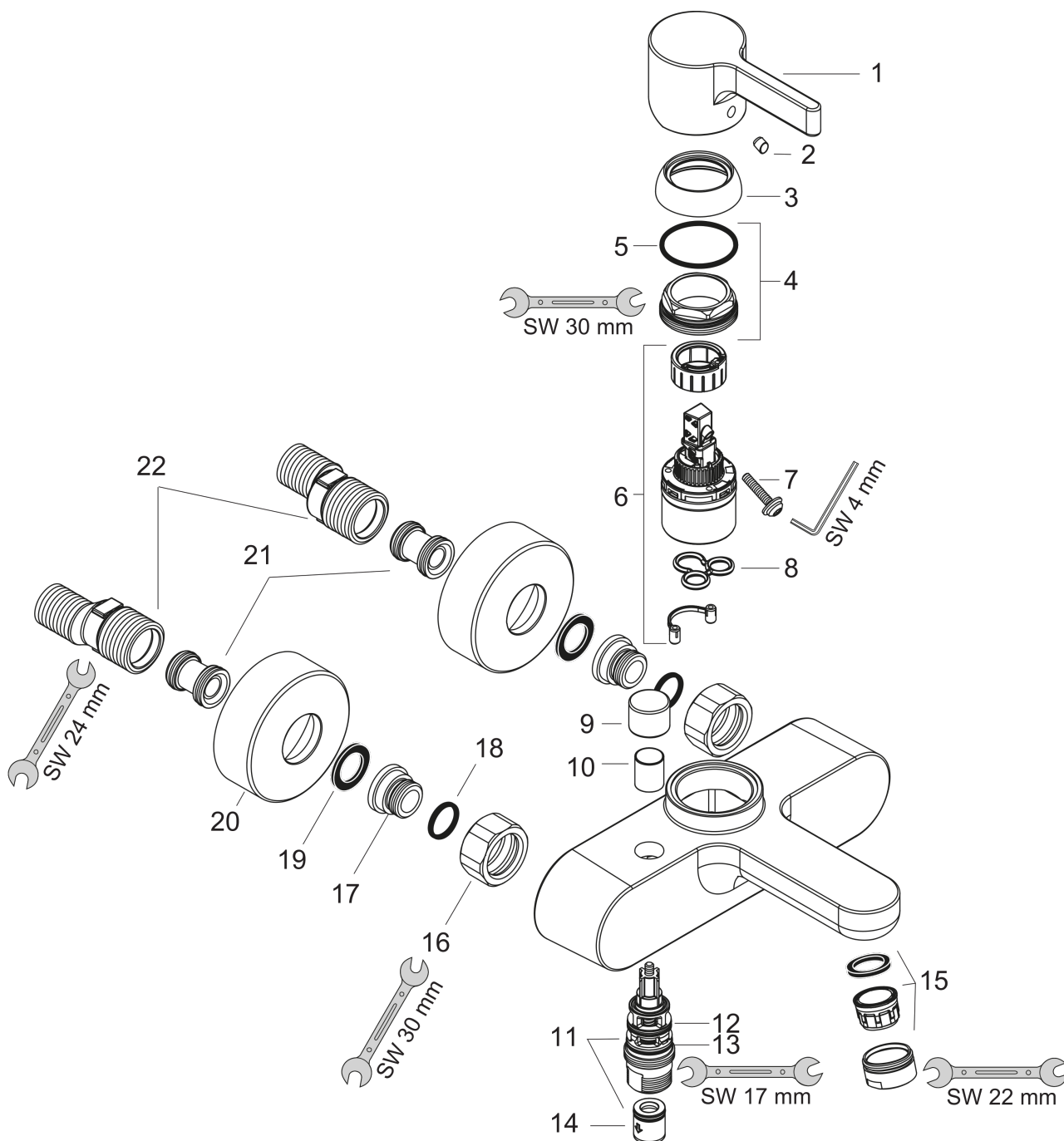


**Metris S**  
**Single lever bath mixer for exposed installation**  
 Surfaces: **chrome**    Article Number: **31460000**



## Exploded Drawing

Year of production: >11/11



## Metris S

Single lever bath mixer for exposed installation

Surfaces: **chrome** Article Number: **31460000**



### Spare part list

Year of production: >11/11

Pos.	Description	Article Number	PC	PU
1	handle	31093000	-	1
2	screw cover	96338000	-	1
3	flange	97406000	-	1
4	nut	97209000	-	1
5	O-Ring 32x2	98193000	-	1
6	cartridge, assy	92730000	-	1
7	locking screw for handle	95140000	-	1
8	seal	95008000	-	1
9	diverter knob	96466000	-	1
10	sleeve	97738000	-	1
11	selector assy	94077000	-	1
12	O-ring 17x1,5	98137000	-	1
13	O-ring 18x2	98181000	-	1
14	set of non return valves DW 15	94074000	-	1
15	aerator M24x1 (30 l/min)	96512000	-	1
16	set of nuts	96157000	-	1
17	connecting thread	97220000	-	1
18	O-ring 15x2	98163000	-	1
19	filter packing	96922000	-	1
20	escutcheon Ø 68 mm	96467000	-	1
21	noise reduction	96429000	-	1
22	set of S-unions (±12 mm)	94140000	-	1
a	set of S-unions (±32 mm)	98592000	-	1
b	diverter fixing device	97211000	-	1