

Talis S

Single lever shower mixer for exposed installation

Surfaces: **chrome** Article Number: **32620000**



Description

product features

- 1 outlet
- connection type: s-shaped connections
- centre distance: 150 ± 12 mm
- flow rate hand shower connection at 0.3 MPa: 16 l/min
- operating pressure: min. 0.1 MPa / max. 1.0 MPa
- ceramic cartridge
- temperature limitation adjustable
- non-return valve
- with silencer
- hose connection DN15
- connection dimension: DN15
- SVGW 0408-4866
- DVGW NW-6506BS5027
- PA-IX 9361/IB
- ETA VA 1.42/18603
- VTT-RTH-00006-10
- WRAS 1303310
- Kiwa K6161_Mechanical Mixers EN817
- SINTEF 1433

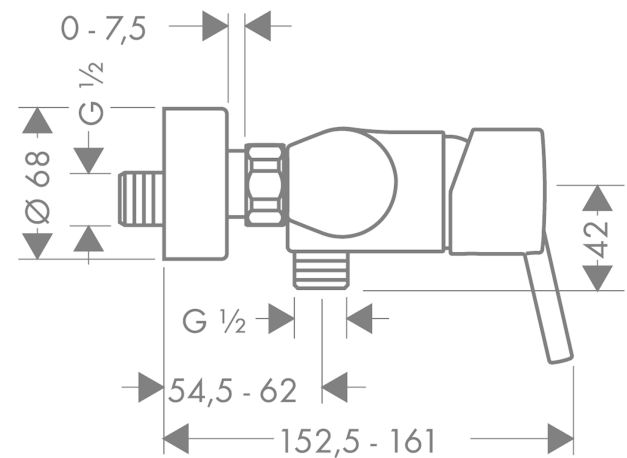
Certificates



Product image



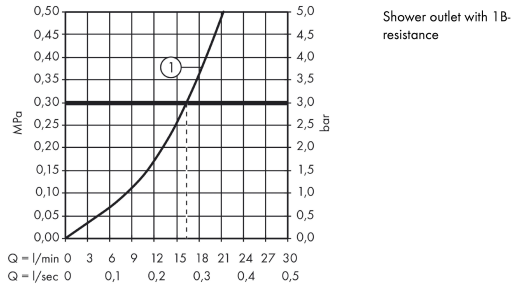
Scale drawing



Talis S
Single lever shower mixer for exposed installation
 Surfaces: **chrome** Article Number: **32620000**



Flowchart

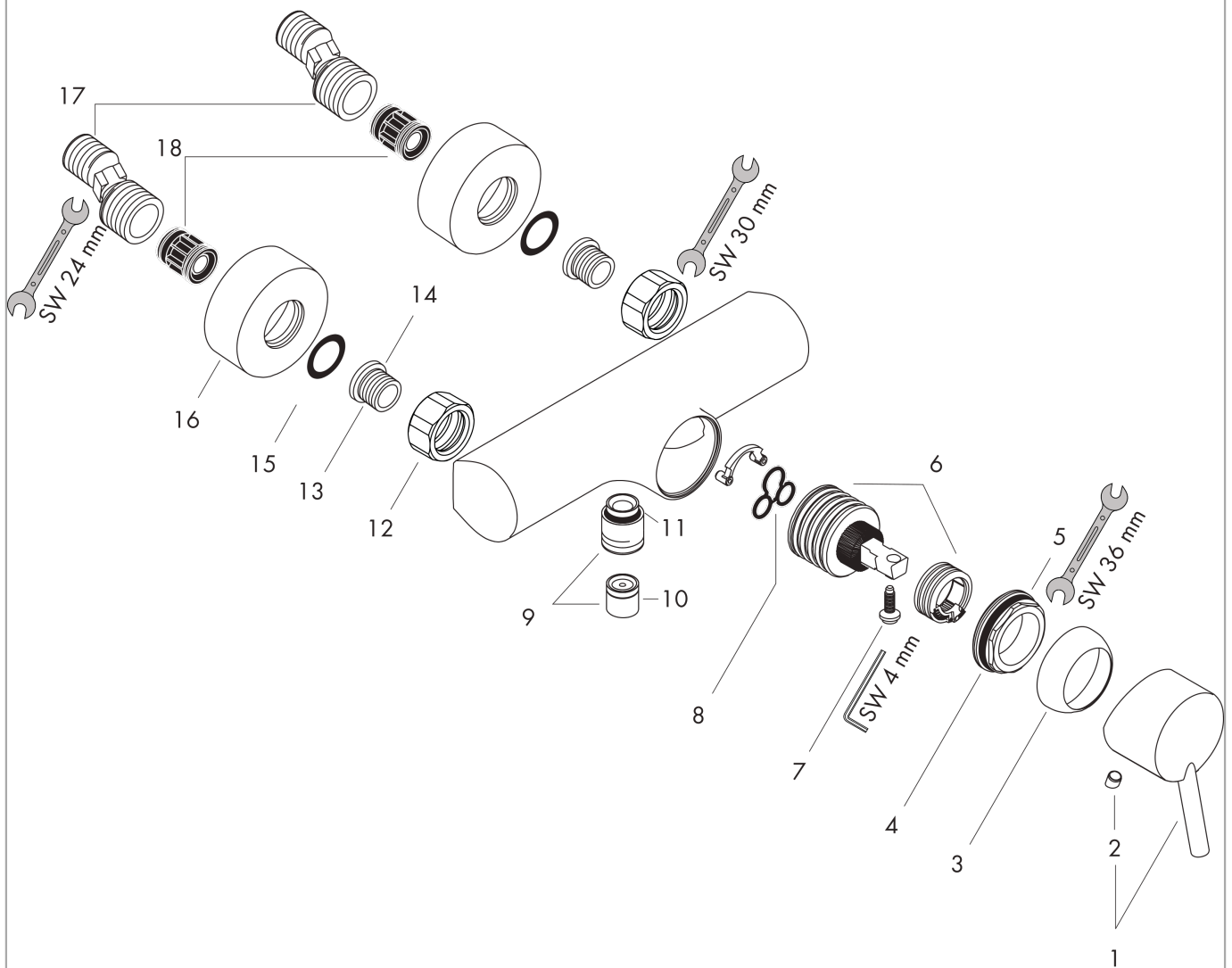


Talis S
Single lever shower mixer for exposed installation
Surfaces: **chrome** Article Number: **32620000**



Exploded Drawing

Year of production: >05/09



Talis S

Single lever shower mixer for exposed installation

Surfaces: **chrome** Article Number: **32620000**



Spare part list

Year of production: >05/09

Pos.	Description	Article Number	PC	PU
1	handle	32092000	-	1
2	screw cover	96338000	-	1
3	flange	96656000	-	1
4	nut	96690000	-	1
5	O-ring 36x2	98156000	-	1
6	cartridge, assy	92730000	-	1
7	locking screw for handle	95140000	-	1
8	seal	95008000	-	1
9	Hose Connection	96044000	-	1
10	set of non return valves DW 15	94074000	-	1
11	O-ring 14x2	98129000	-	1
12	set of nuts	96157000	-	1
13	connecting thread	97220000	-	1
14	O-ring 15x2	98163000	-	1
15	escutcheon Ø 68 mm	96467000	-	1
16	set of S-unions (±12 mm)	94140000	-	1
17	noise reduction	96429000	-	1
a	set of S-unions (±32 mm)	98592000	-	1