

Talis S

Single lever bath mixer for exposed installation

Surfaces: **chrome** Article Number: **32420000**



Description

product features

- projection 172.5 - 180 mm
- connection type: s-shaped connections
- centre distance: 150 ± 12 mm
- normal spray
- flow rate hand shower connection at 0.3 MPa: 19 l/min
- flow rate bath filler (at 0.3 MPa): 18 l/min
- ceramic cartridge
- temperature limitation adjustable
- with automatic resetting
- non-return valve
- with silencer
- suitable for continuous flow water heaters
- connection dimension: DN15
- SVGW 0708-5257
- DVGW NW-6506BS5027
- PA-IX 9362/IBB
- ETA VA 1.42/18602
- WRAS 1307308
- SINTEF 1435

Technology



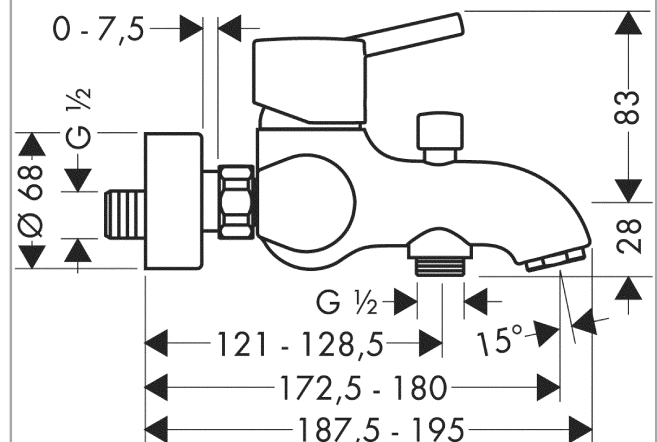
Certificates



Product image



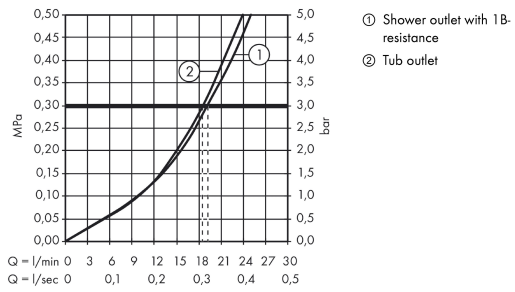
Scale drawing



Talis S
Single lever bath mixer for exposed installation
 Surfaces: **chrome** Article Number: **32420000**



Flowchart

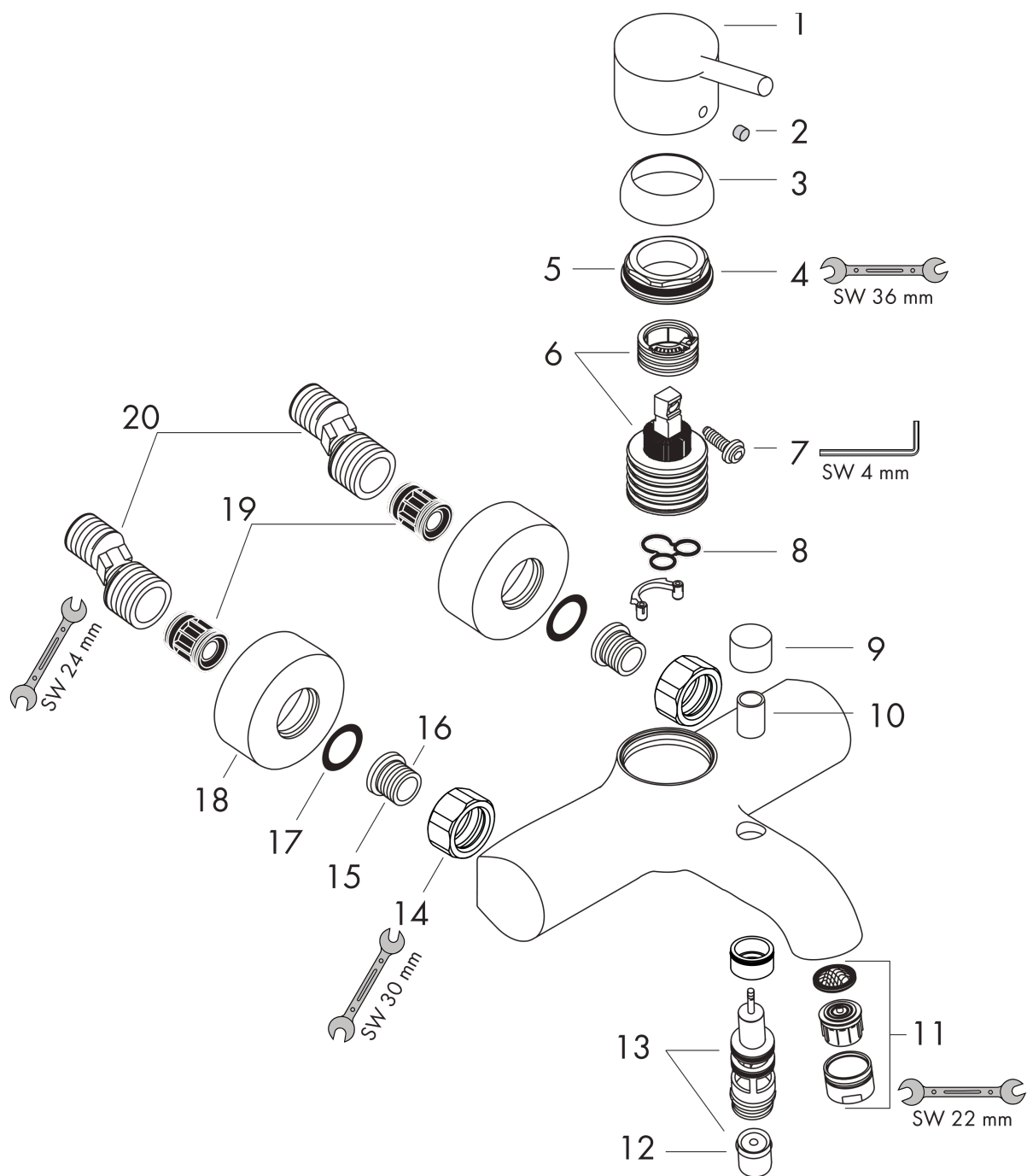


Talis S
Single lever bath mixer for exposed installation
 Surfaces: **chrome** Article Number: **32420000**



Exploded Drawing

Year of production: >05/09



Talis S

Single lever bath mixer for exposed installation

Surfaces: **chrome** Article Number: **32420000**



Spare part list

Year of production: >05/09

Pos.	Description	Article Number	PC	PU
1	handle	32092000	-	1
2	screw cover	96338000	-	1
3	flange	96656000	-	1
4	nut	96690000	-	1
5	O-ring 36x2	98156000	-	1
6	cartridge, assy	92730000	-	1
7	locking screw for handle	95140000	-	1
8	seal	95008000	-	1
9	diverter knob	96466000	-	1
10	sleeve	97738000	-	1
11	aerator M24x1 (25 l/min)	13956000	-	1
12	set of non return valves DW 15	94074000	-	1
13	selector assy	94077000	-	1
14	set of nuts	96157000	-	1
15	connecting thread	97220000	-	1
16	O-ring 15x2	98163000	-	1
17	filter packing	96922000	-	1
18	escutcheon Ø 68 mm	96467000	-	1
19	set of S-unions (±12 mm)	94140000	-	1
20	noise reduction	96429000	-	1
a	set of S-unions (±32 mm)	98592000	-	1