

Axor Citterio

Single lever shower mixer for exposed installation

Surfaces: **chrome** Article Number: **39600000**



Description

product features

- 1 outlet
- connection type: s-shaped connections
- centre distance: 150 ± 16 mm
- operating pressure: min. 0.1 MPa / max. 1.0 MPa
- ceramic cartridge
- temperature limitation adjustable
- non-return valve
- with silencer
- suitable for continuous flow water heaters
- hose connection DN15
- connection dimension: DN15
- ACS 11 ACC LY 022, valide jusqu'au 05.05.2016
- WRAS 1401009

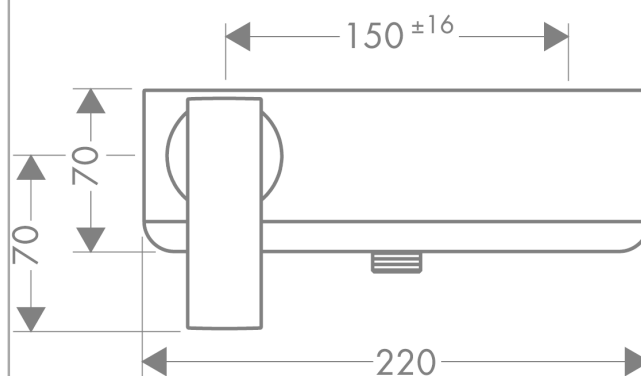
Certificates



Product image



Scale drawing



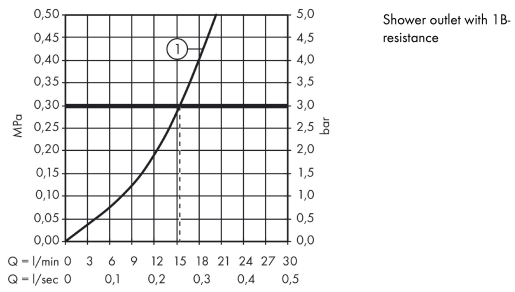
Axor Citterio

Single lever shower mixer for exposed installation

Surfaces: **chrome** Article Number: **39600000**



Flowchart



Axor Citterio

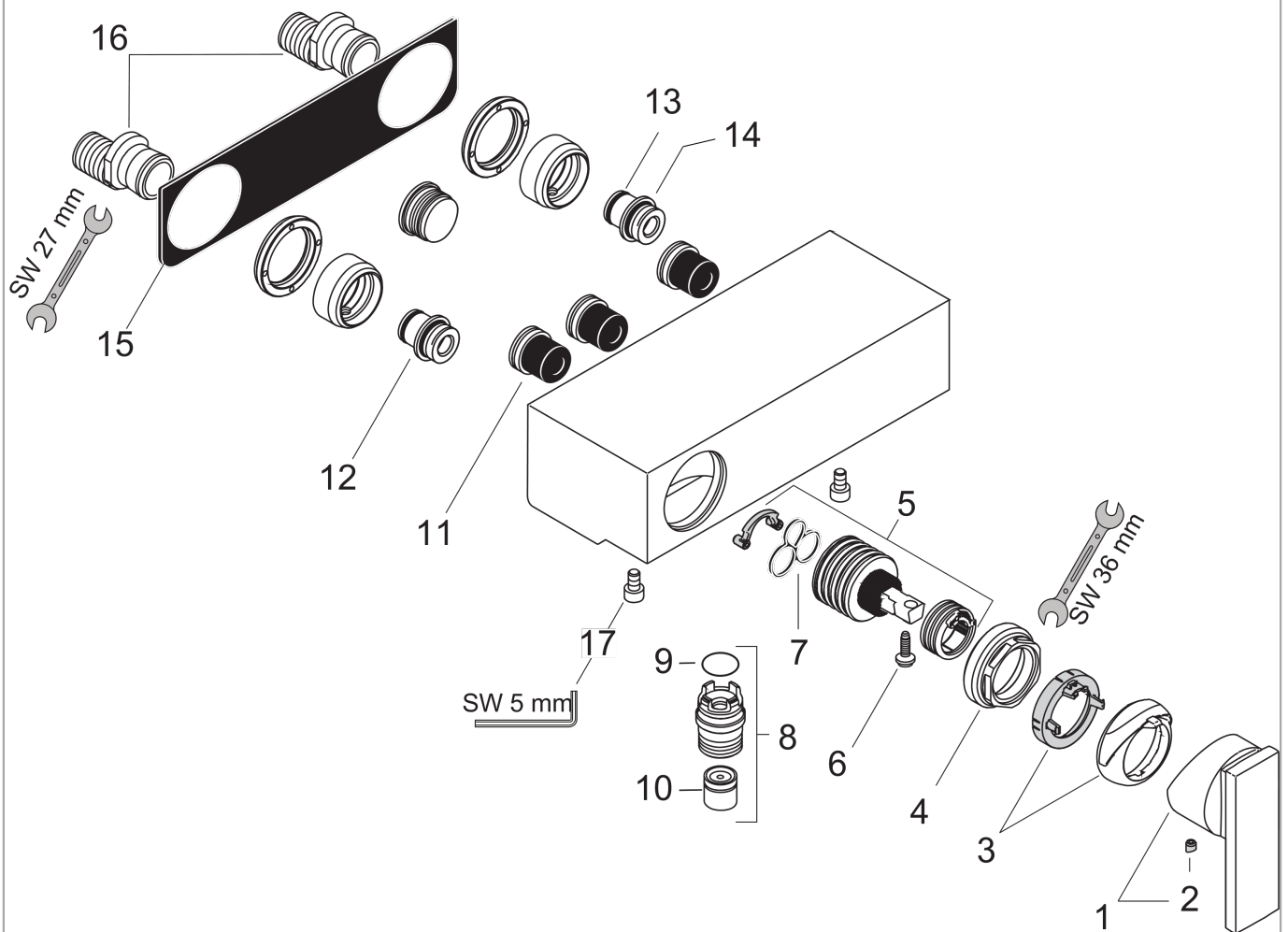
Single lever shower mixer for exposed installation

Surfaces: **chrome** Article Number: **39600000**



Exploded Drawing

Year of production: >07/09



Axor Citterio

Single lever shower mixer for exposed installation

Surfaces: **chrome** Article Number: **39600000**



Spare part list

Year of production: >07/09

Pos.	Description	Article Number	PC	PU
1	handle	39491000	-	1
2	screw cover	96338000	-	1
3	flange (Rotating Protector)	96395000	-	1
4	nut	96461000	-	1
5	cartridge, assy	92730000	-	1
6	locking screw for handle	95140000	-	1
7	seal	95008000	-	1
8	connecting thread	95367000	-	1
9	O-ring 18x2	98181000	-	1
10	set of non return valves DW 15	94074000	-	1
11	noise reduction	94073000	-	1
12	connecting thread	97236000	-	1
13	O-Ring 13x3	98184000	-	1
14	O-ring 17x1,5	98137000	-	1
15	seal	97589000	-	1
16	set of S-unions	94136000	-	1
17	hexagon socket screw M6x10	92847000	-	1