

## Axor Citterio

### Single lever bath mixer for exposed installation

Surfaces: **chrome** Article Number: **39400000**



#### Description

##### product features

- projection 255 mm
- connection type: G ½
- centre distance: 150 ± 16 mm
- normal spray
- ceramic cartridge
- temperature limitation adjustable
- with automatic resetting
- non-return valve
- with silencer
- no integrated shower support
- suitable for continuous flow water heaters
- connection dimension: DN15
- ACS 11 ACC LY 022, valide jusqu'au 05.05.2016
- WRAS 1203309

#### Technology



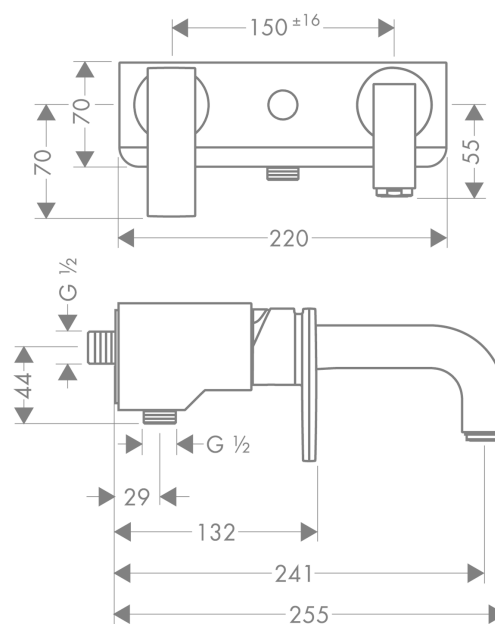
#### Certificates



#### Product image



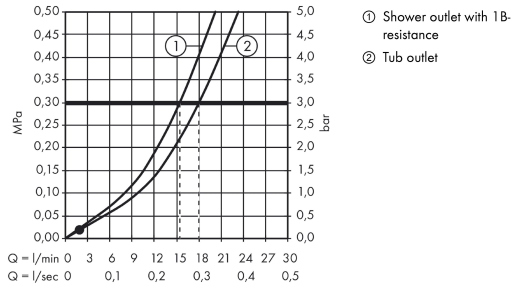
#### Scale drawing



**Axor Citterio**  
**Single lever bath mixer for exposed installation**  
 Surfaces: **chrome** Article Number: **39400000**



## Flowchart



## Axor Citterio

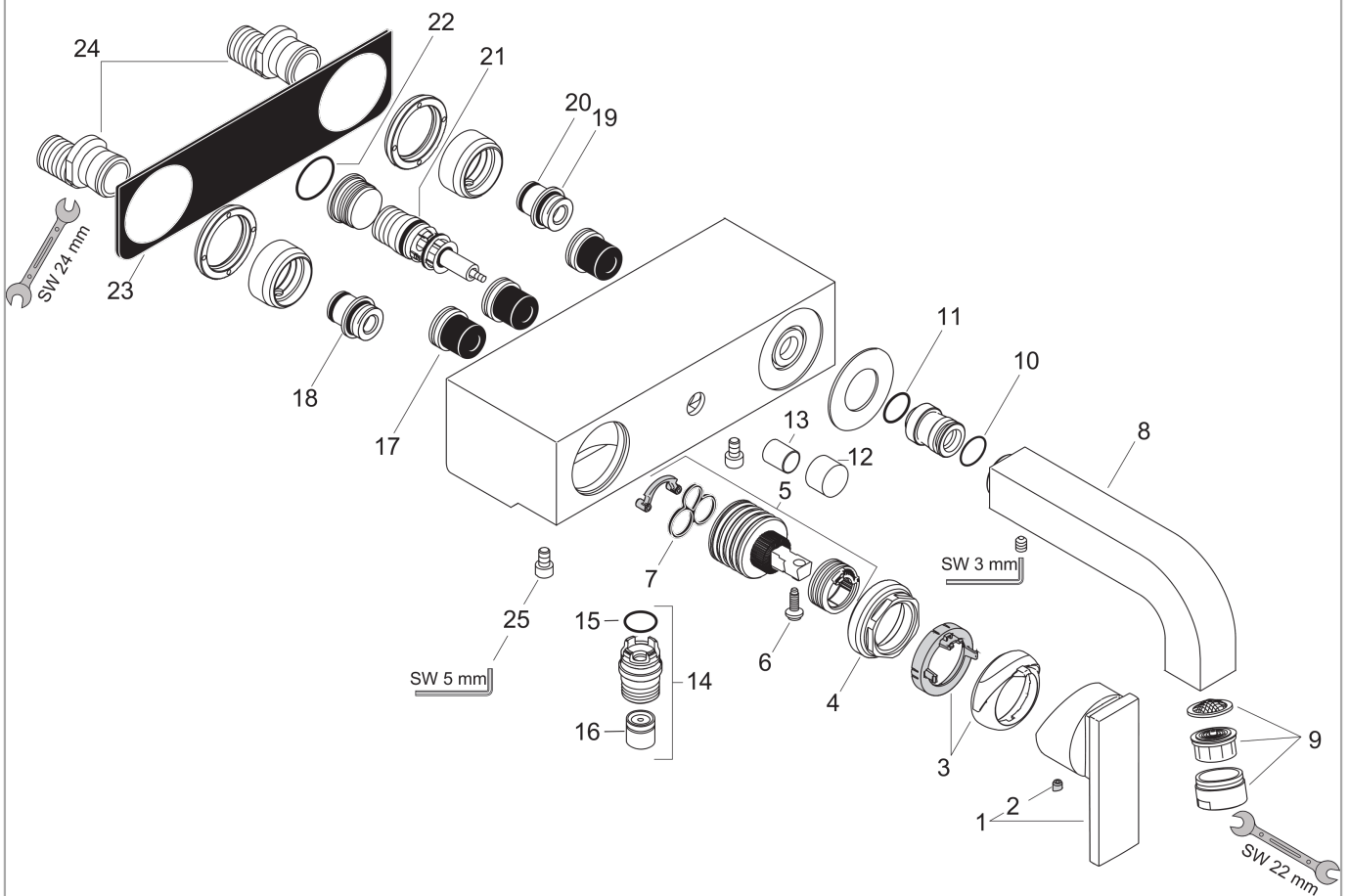
Single lever bath mixer for exposed installation

Surfaces: **chrome** Article Number: **39400000**



### Exploded Drawing

Year of production: >07/09



## Axor Citterio

### Single lever bath mixer for exposed installation

Surfaces: **chrome** Article Number: **39400000**



#### Spare part list

Year of production: >07/09

Pos.	Description	Article Number	PC	PU
1	handle	39491000	-	1
2	screw cover	96338000	-	1
3	flange (Rotating Protector)	96395000	-	1
4	nut	96461000	-	1
5	cartridge, assy	92730000	-	1
6	locking screw for handle	95140000	-	1
7	seal	95008000	-	1
8	spout 160 mm	97238000	-	1
9	aerator M24x1 (25 l/min)	13956000	-	1
10	O-ring 16x2,5	98134000	-	1
11	O-ring 16x2	98133000	-	1
12	diverter knob	96466000	-	1
13	sleeve	97738000	-	1
14	connecting thread	95367000	-	1
15	O-ring 18x2	98181000	-	1
16	set of non return valves DW 15	94074000	-	1
17	noise reduction	94073000	-	1
18	connecting thread	97236000	-	1
19	O-ring 17x1,5	98137000	-	1
20	O-Ring 13x3	98184000	-	1
21	selector assy	94077000	-	1
22	O-ring 23x2	98398000	-	1
23	seal	97589000	-	1
24	set of S-unions	94136000	-	1
25	hexagon socket screw M6x10	92847000	-	1
a	spout 220 mm	97239000	-	1
b	diverter fixing device	97211000	-	1