

Axor Citterio M

Single lever shower mixer for exposed installation

Surfaces: **chrome** Article Number: **34620000**



Description

product features

- 1 outlet
- connection type: s-shaped connections
- centre distance: 150 ± 16 mm
- operating pressure: min. 0.1 MPa / max. 1.0 MPa
- ceramic cartridge
- temperature limitation adjustable
- non-return valve
- with silencer
- suitable for continuous flow water heaters
- hose connection DN15
- connection dimension: DN15
- scope of supply: escutcheons
- SVGW 0504-4961
- DVGW NW-6506BT0646
- PA-IX 9699/IB
- ETA VA 1.42/19802
- ACS 11 ACC LY 022, valide jusqu'au 05.05.2016
- Kiwa K6161_Mechanical Mixers EN817
- SINTEF 1434

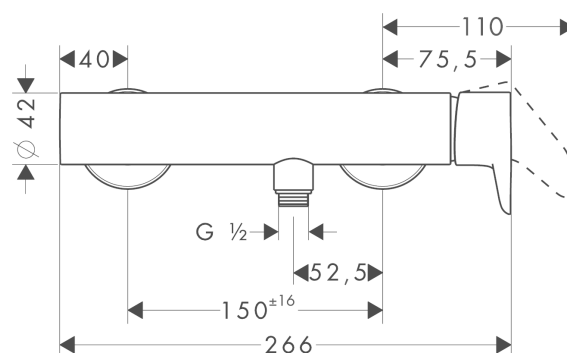
Certificates



Product image



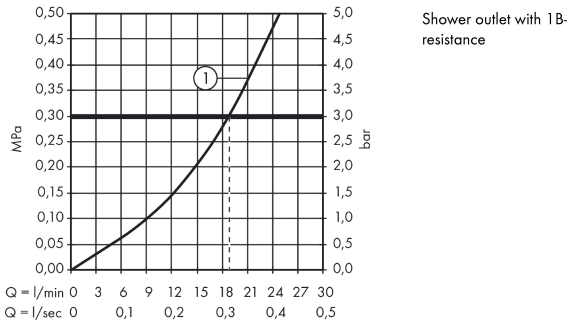
Scale drawing



Axor Citterio M
Single lever shower mixer for exposed installation
Surfaces: **chrome** Article Number: **34620000**



Flowchart

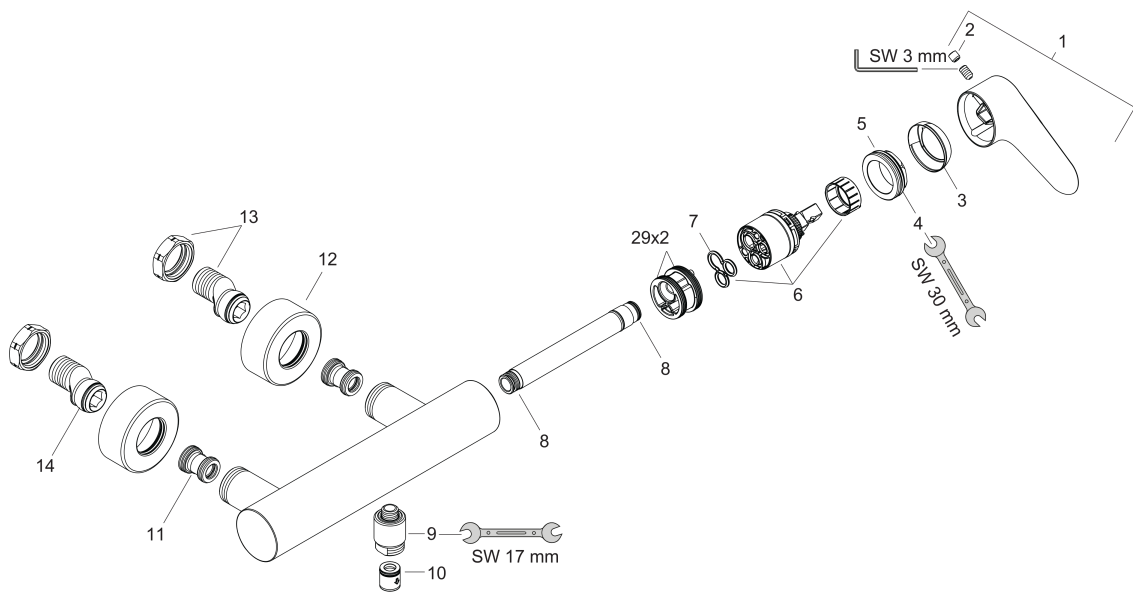


Axor Citterio M
Single lever shower mixer for exposed installation
Surfaces: **chrome** Article Number: **34620000**



Exploded Drawing

Year of production: >01/08



Axor Citterio M
Single lever shower mixer for exposed installation
 Surfaces: **chrome** Article Number: **34620000**



Spare part list

Year of production: >01/08

Pos.	Description	Article Number	PC	PU
1	handle	34094000	-	1
2	screw cover	96762000	-	1
3	flange	96763000	-	1
4	nut	97209000	-	1
5	O-ring 33x2	98154000	-	1
6	cartridge, assy	92730000	-	1
7	seal	95008000	-	1
8	O-ring 11x2	98127000	-	1
9	connecting thread	97527000	-	1
10	set of non return valves DW 15	94074000	-	1
11	noise reduction	96429000	-	1
12	escutcheon Ø 59 mm	97507000	-	1
13	set of S-unions with nuts	96742000	-	1