

Focus

Single lever bath mixer for concealed installation

Surfaces: **chrome** Article Number: **31945000**



Description

product features

- connection type: basic set
- ceramic cartridge
- temperature limitation adjustable
- with automatic resetting
- with silencer
- scope of supply: handle, sleeve, escutcheon, diverter, mixing unit
- SVGW 0411-4903
- DVGW NW-6506CQ0125
- PA-IX 9709/ICC
- ETA VA 1.42/18751
- ACS 14 ACC LY 444, valide jusqu'au 09.07.2019
- WRAS 1401008
- SINTEF 1426

Mandatory Accessoires

- Basic set iBox universal (#01800XXX)
- iBox universal Basic with pre-mounted angle connection G1/2 (#01810XXX)

Optional Accessoires

- Ecostat E thermostatic mixer for concealed installation with shut-off valve dummy (#31597XXX)

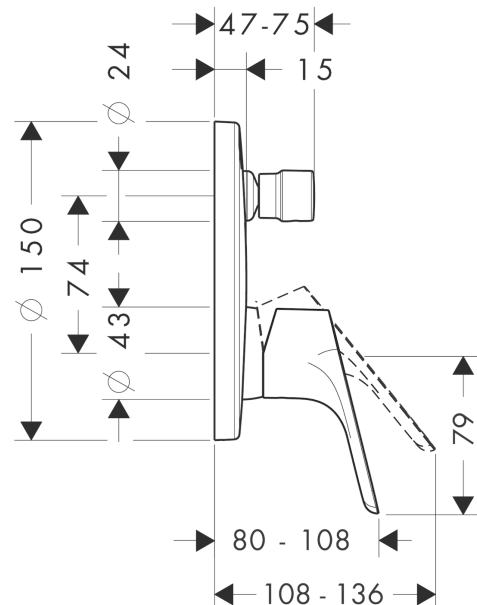
Certificates



Product image



Scale drawing



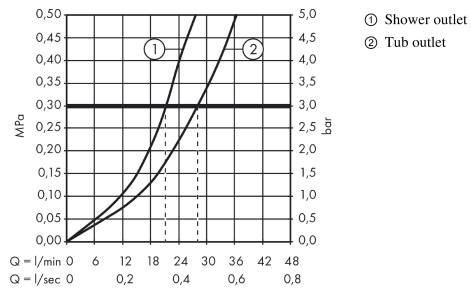
Focus

Single lever bath mixer for concealed installation

Surfaces: **chrome** Article Number: **31945000**



Flowchart



Focus

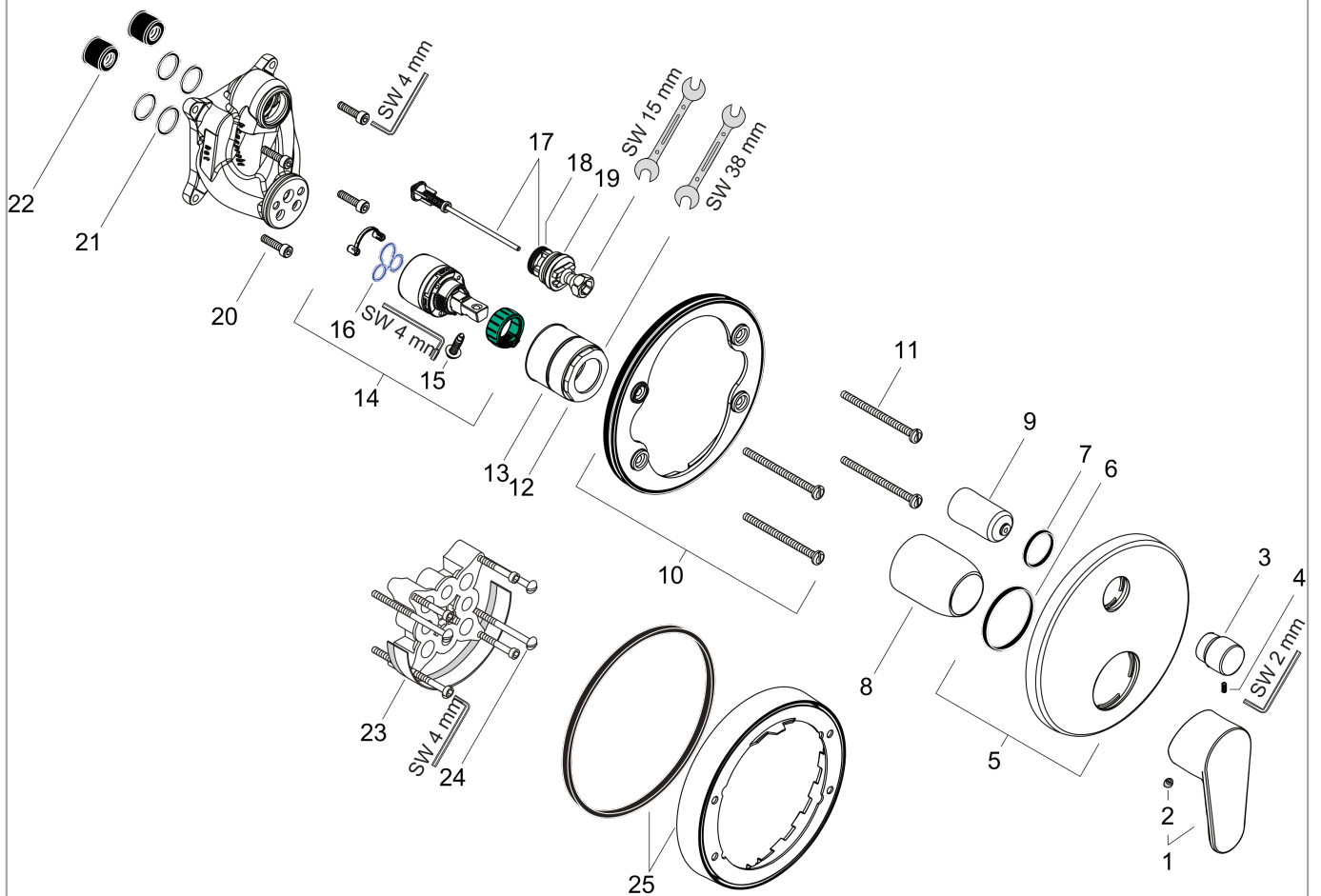
Single lever bath mixer for concealed installation

Surfaces: **chrome** Article Number: **31945000**



Exploded Drawing

Year of production: >01/10



Focus

Single lever bath mixer for concealed installation

Surfaces: **chrome** Article Number: **31945000**



Spare part list

Year of production: >01/10

Pos.	Description	Article Number	PC	PU
1	handle	98532000	-	1
2	screw cover	96338000	-	1
3	diverter knob	98795000	-	1
4	hollow set screw M4x10	97667000	-	1
5	escutcheon Ø 150 mm	98791000	-	1
6	O-ring 43x3	98418000	-	1
7	O-ring 23x3	98142000	-	1
8	sleeve	98790000	-	1
9	sleeve	98794000	-	1
10	holder for escutcheon	98793000	-	1
11	set of fixing screws	96454000	-	1
12	nut	98796000	-	1
13	O-ring 39x1,5	98400000	-	1
14	cartridge, assy	92730000	-	1
15	locking screw for handle	95140000	-	1
16	seal	95008000	-	1
17	selector assy	95014000	-	1
18	O-ring 16x2,3	98207000	-	1
19	O-ring 20x2,5	92602000	-	1
20	set of screws	96525000	-	1
21	O-ring 16x2	98133000	-	1
22	noise reduction	94073000	-	1
23	extension 25 mm	13595000	-	1
24	set of fixing screws	97747000	-	1
25	extension 22 mm (Ø 150 mm)	13597000	-	1
a	spring for exchanged connections	96365000	-	1
b	conversion kit to escutcheon Ø 170 mm (bath mixer)	95354000	-	1
c	concealed item	01800180	-	1