

## Axor Citterio

### Single lever bath mixer floor-standing

Surfaces: **chrome** Article Number: **39451000**



#### Description

##### product features

- projection 200 mm
- connection type: basic set
- normal spray
- flow rate: 17 l/min
- joystick ceramic cartridge
- temperature limitation not adjustable
- with automatic resetting
- non-return valve
- integrated shower support
- connection dimension: DN15
- WRAS 1412027

##### consists of

- 2jet baton hand shower (#28532XXX)
- Metal effect shower hose 1.25 m (#28282XXX)

##### Mandatory Accessoires

- Basic set for bath mixer floor-standing (#10452XXX)

##### Optional Accessoires

- Pipe extension (#97686XXX)
- Seal (#96441XXX)

#### Technology



#### Design awards



reddot design award

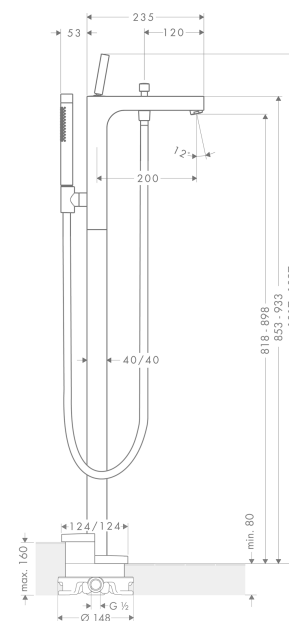
#### Certificates



#### Product image



#### Scale drawing



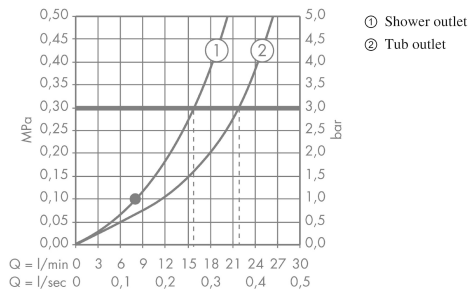
## Axor Citterio

### Single lever bath mixer floor-standing

Surfaces: **chrome** Article Number: **39451000**



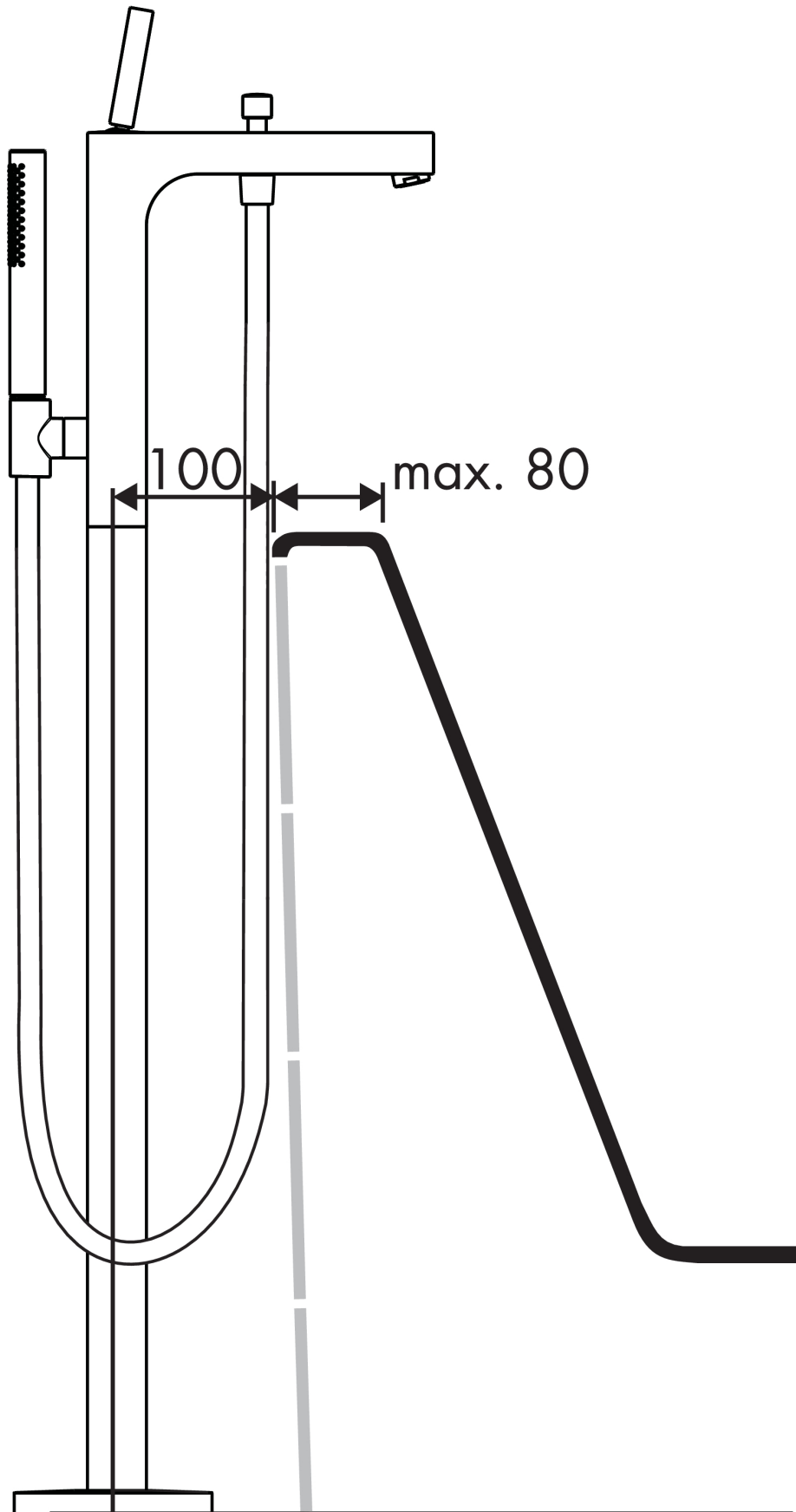
#### Flowchart



**Axor Citterio**  
**Single lever bath mixer floor-standing**  
Surfaces: **chrome**    Article Number: **39451000**



## Installation examples



## Axor Citterio

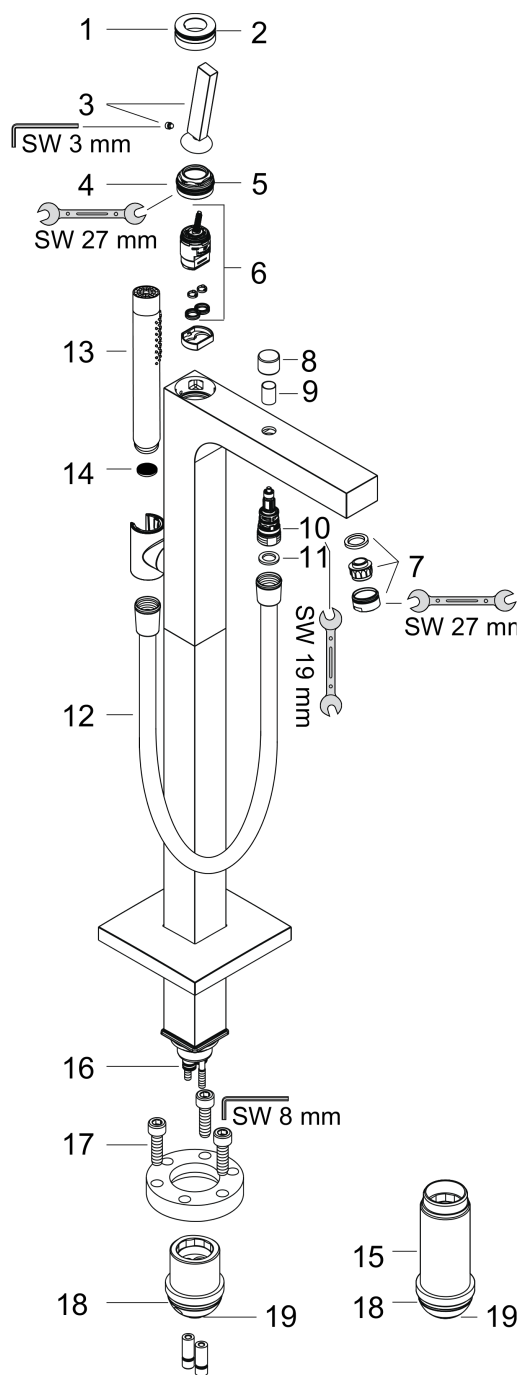
### Single lever bath mixer floor-standing

Surfaces: **chrome** Article Number: **39451000**



#### Exploded Drawing

Year of production: >03/07



## Axor Citterio

### Single lever bath mixer floor-standing

Surfaces: **chrome** Article Number: **39451000**



#### Spare part list

Year of production: >03/07

Pos.	Description	Article Number	PC	PU
1	escutcheon	97466000	-	1
2	O-ring 33x1,5	98164000	-	1
3	handle	39091000	-	1
4	nut	97157000	-	1
5	O-Ring 30x2	98186000	-	1
6	cartridge, assy	96339000	-	1
7	aerator M24x1 (25 l/min)	13956000	-	1
8	diverter knob	96466000	-	1
9	sleeve	97979000	-	1
10	selector	97978000	-	1
11	seal	98058000	-	1
12	shower hose Isiflex'B 1,25 m	28272000	-	1
13	handshower	28532000	-	1
14	filter packing	94246000	-	1
15	extension set 60 mm	97686000	-	1
16	O-ring 10x1,5	98123000	-	1
17	hexagon socket screw M10x35	97670000	-	1
18	O-ring 44x2,5	98162000	-	1
19	O-ring 29x3	98371000	-	1
a	concealed item	10452180	-	1
b	sealing foil	96441000	-	1
c	service tool for disassembling the handle	92124000	-	1
d	diverter fixing device	97211000	-	1