

## Axor Carlton

### Axor Carlton 180 1jet plate overhead shower

Surfaces: **chrome** Article Number: **28487000**



#### Description

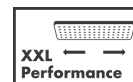
##### product features

- shower head size: 180 mm
- spray type: Rain
- flow rate Rain spray (at 0.3 MPa): 20 l/min
- fully chrome-plated spray disc
- material spray disc: metal
- installation type: ceiling or wall
- connection thread G ½
- connection dimension: DN15
- WRAS 1212304

##### Optional Accessoires

- Shower arm 241 mm (#27409XXX)
- Shower arm 389 mm (#27413XXX)
- Ceiling connector 100 mm (#27479XXX)

#### Technology



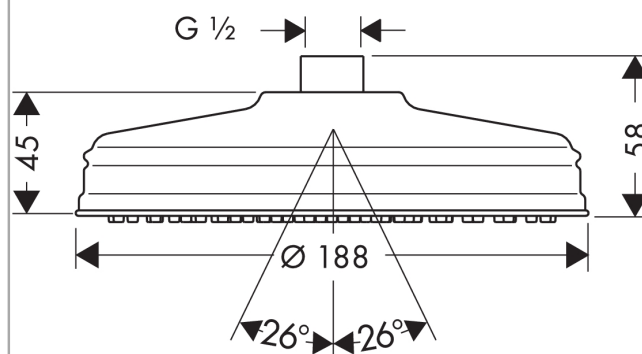
#### Certificates



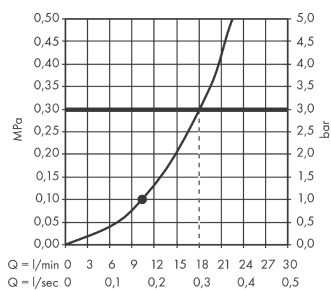
#### Product image



#### Scale drawing



#### Flowchart



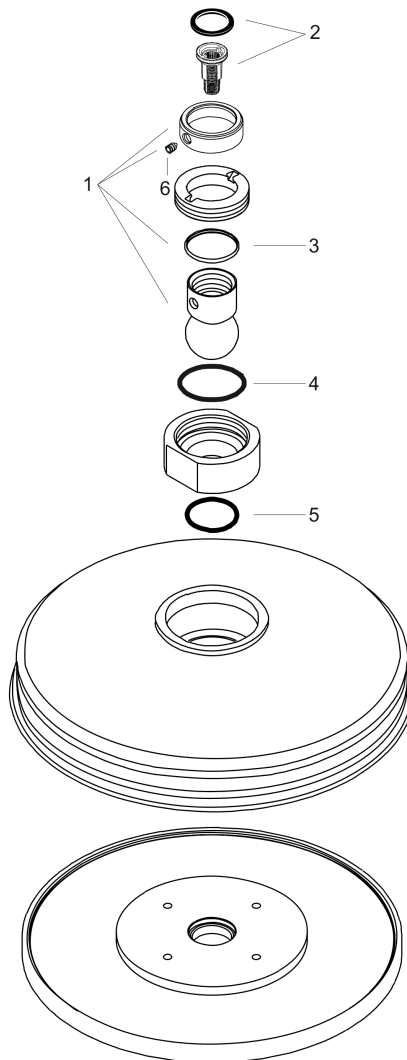
The consumption was measured in combination with the appropriate fittings (thermostat/mixer/in-wall valve) to reflect actual application in practice.

**Axor Carlton**  
**Axor Carlton 180 1jet plate overhead shower**  
Surfaces: **chrome**    Article Number: **28487000**



## Exploded Drawing

Year of production: >05/11



**Axor Carlton**  
**Axor Carlton 180 1jet plate overhead shower**  
 Surfaces: **chrome** Article Number: **28487000**



## Spare part list

Year of production: >05/11

Pos.	Description	Article Number	PC	PU
1	ball joint	98941000	-	1
2	filter insert	97708000	-	1
3	lever collar	97536000	-	1
4	O-ring 23x3	98142000	-	1
5	O-ring 18x2	98181000	-	1
6	hollow set screw M4x6	97767000	-	1
a	non return valve	95699000	-	1