

Axor Starck

Axor Starck 240 1jet plate overhead shower

Surfaces: **chrome** Article Number: **28494000**



Description

product features

- shower head size: 240 mm
- spray type: RainAir
- flow rate RainAir spray (at 0.3 MPa): 18 l/min
- fully chrome-plated spray disc
- material spray disc: metal
- installation type: ceiling or wall
- connection thread G ½
- connection dimension: DN15
- suitable for continuous flow water heaters with an output of 18 kW
- WRAS 1112319

Optional Accessoires

- Ceiling connector 100 mm (#27479XXX)
- Shower arm 389 mm (#27413XXX)

Technology



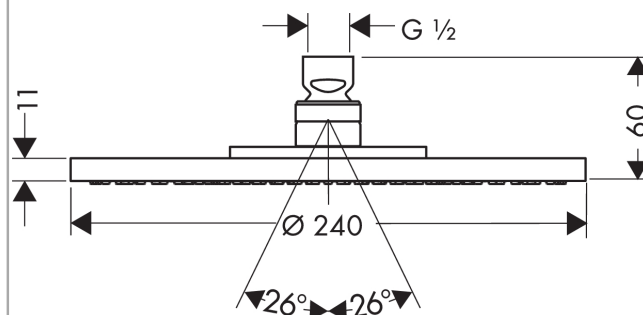
Certificates



Product image



Scale drawing



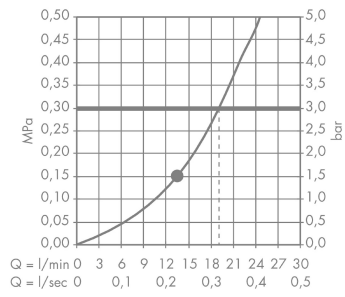
Axor Starck

Axor Starck 240 1jet plate overhead shower

Surfaces: **chrome** Article Number: **28494000**



Flowchart



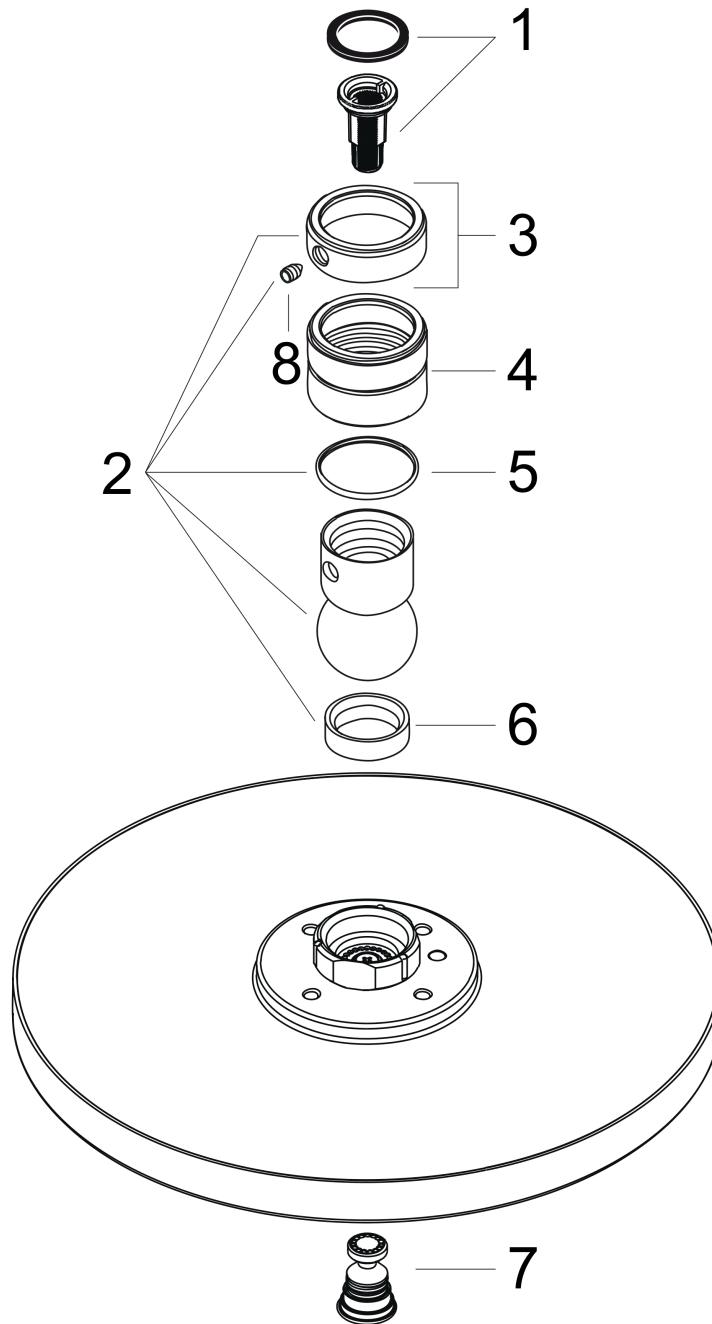
The consumption was measured in combination with the appropriate fittings (thermostat/mixer/in-wall valve) to reflect actual application in practice.

Axor Starck
Axor Starck 240 1jet plate overhead shower
Surfaces: **chrome** Article Number: **28494000**



Exploded Drawing

Year of production: >07/11



Axor Starck
Axor Starck 240 1jet plate overhead shower
 Surfaces: **chrome** Article Number: **28494000**



Spare part list

Year of production: >07/11

Pos.	Description	Article Number	PC	PU
1	filter insert	97708000	-	1
2	ball joint	98941000	-	1
3	lock washer	98942000	-	1
4	nut	97958000	-	1
5	lever collar	97536000	-	1
6	seal	97606000	-	1
7	air jet	95794000	-	1
8	hollow set screw M4x6	97767000	-	1
a	non return valve	95699000	-	1