

**Croma 100**  
**Croma 100 Multi hand shower/ Unica'C wall bar 0.65 m set**  
 Surfaces: **chrome** Article Number: **27775000**



## Description

### product features

- spray type: Rain, Mono, Massage spray
- spray type adjustment by turning spray disc
- shower head size: 100 mm
- pivot connectors prevent hose from tangling
- 90° position adjustable slider, pivots left and right, up and down
- maximum flow rate (at 0.3 MPa): 19 l/min
- chrome-plated wall supports of plastic
- ACS 13 ACC NY 145, valide jusqu'au 06.05.2018

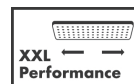
### consists of

- Croma 100 Multi hand shower (#28536XXX)
- Unica'C wall bar 0.65 m (#27611XXX)
- Isiflex shower hose 1.60 m (#28276XXX)
- Casetta'C soap dish (#28678XXX)

### Optional Accessoires

- Wall bar spacer (#97450XXX)

## Technology



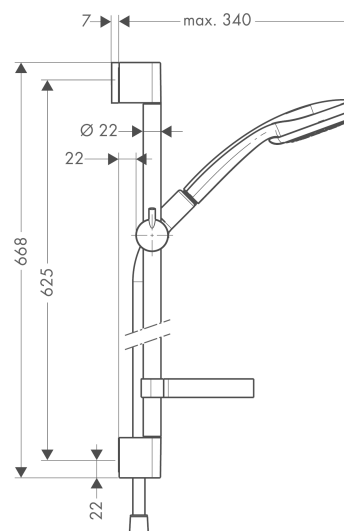
## Certificates



## Product image



## Scale drawing



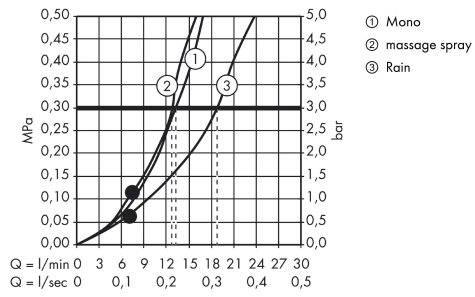
## Croma 100

Croma 100 Multi hand shower/ Unica'C wall bar 0.65 m set

Surfaces: chrome Article Number: 27775000



### Flowchart



The consumption was measured in combination with the appropriate fittings (thermostat/mixer/in-wall valve) to reflect actual application in practice.

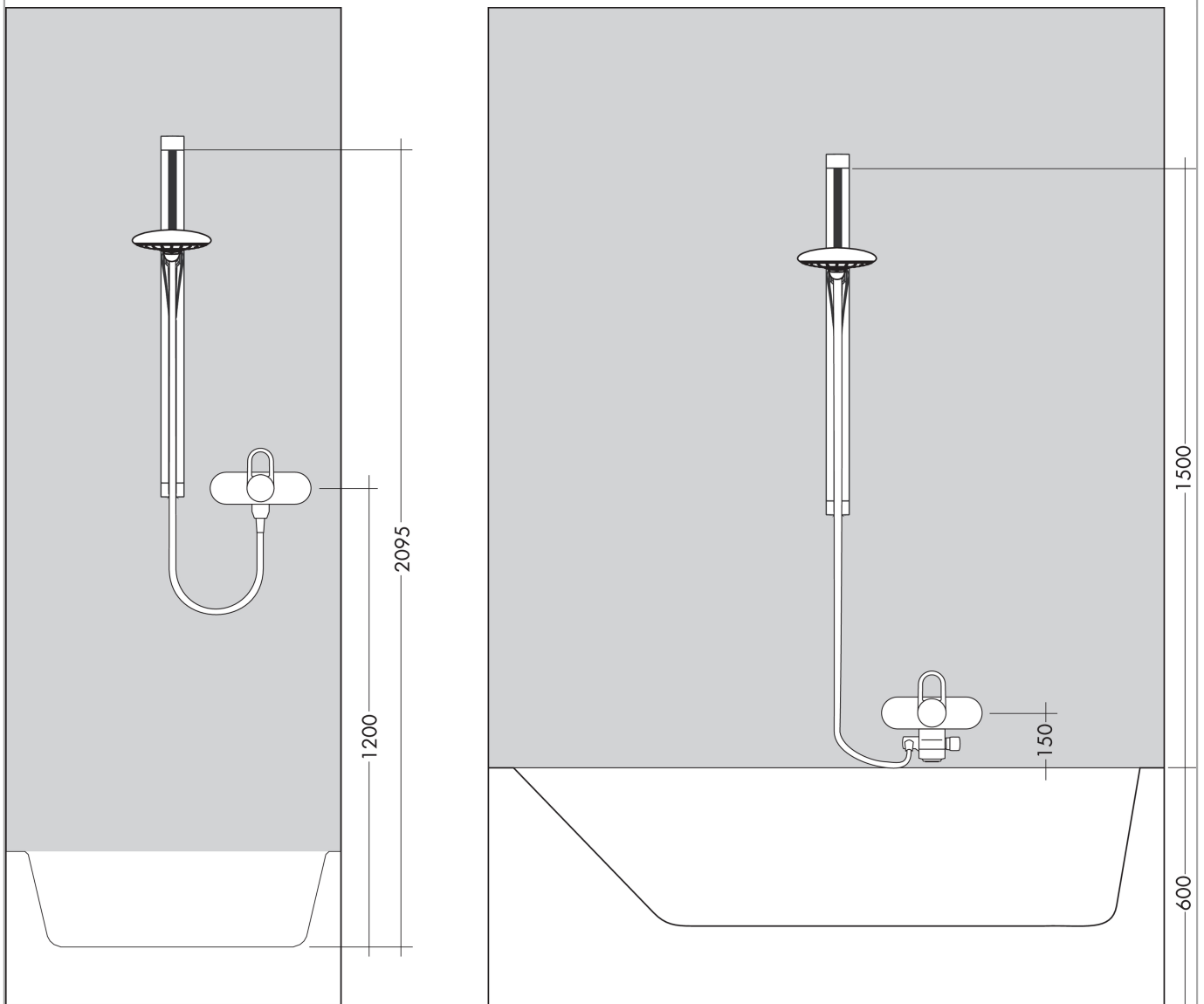
## Croma 100

Croma 100 Multi hand shower/ Unica'C wall bar 0.65 m set

Surfaces: **chrome** Article Number: **27775000**



### Installation examples



## Croma 100

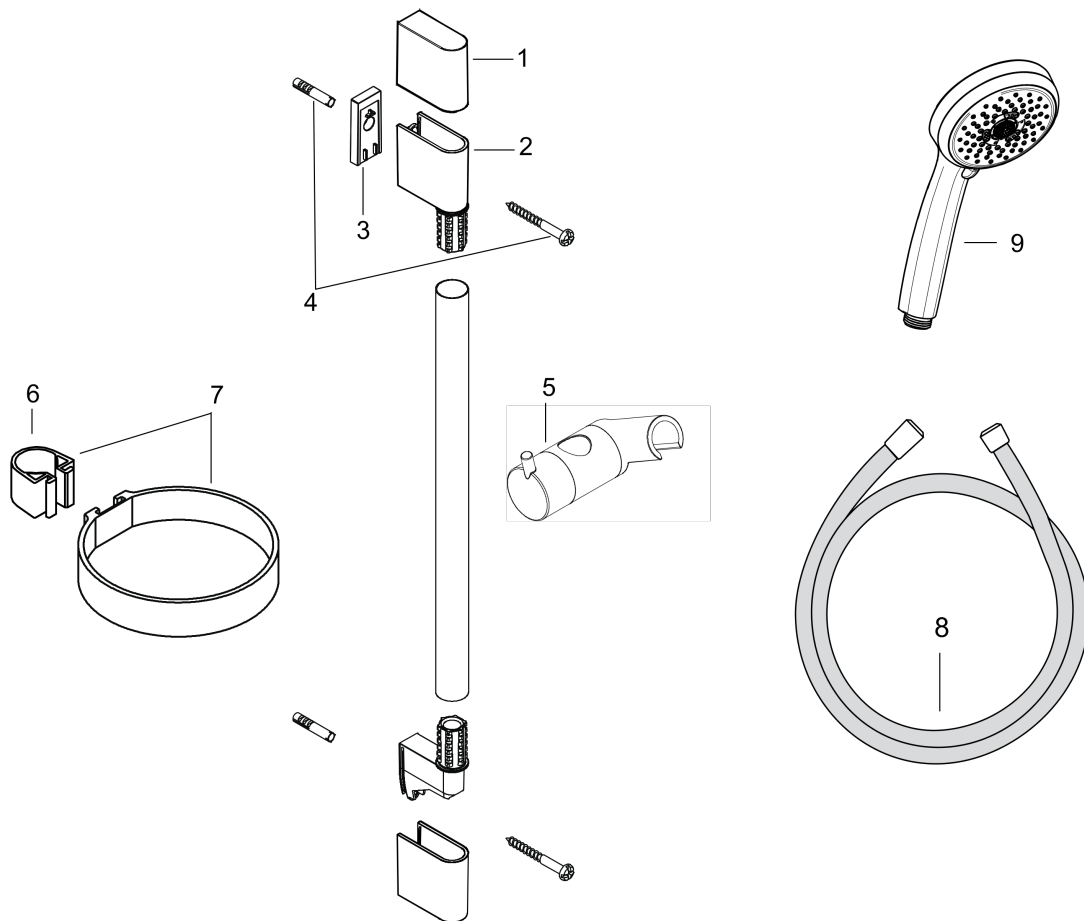
Croma 100 Multi hand shower/ Unica'C wall bar 0.65 m set

Surfaces: **chrome** Article Number: **27775000**



### Exploded Drawing

Year of production: >10/06



**Croma 100**

**Croma 100 Multi hand shower/ Unica'C wall bar 0.65 m set**

Surfaces: **chrome** Article Number: **27775000**



**Spare part list**

Year of production: >10/06

Pos.	Description	Article Number	PC	PU
1	cover set	98738000	-	1
2	wall support	96275000	-	1
3	tile-matching-disk	97450000	-	1
4	mounting set	96179000	-	1
5	support, assy	98753000	-	1
6	clip for Casetta, Ø 22 mm	96189000	-	1
7	shelf Casetta	28678000	-	1
8	shower hose Isiflex'B 1,60 m	28276000	-	1
9	handshower	28536000	-	1