

**Axor Starck**  
**Axor Starck shower set with 2jet baton hand shower**  
 Surfaces: **chrome** Article Number: **27980000**



## Description

### product features

- spray type: Rain, Soft spray
- spray type adjustment by turning spray disc
- shower head size: 70 mm
- pivot connectors prevent hose from tangling
- shower hose with cylindrical nut on both ends
- maximum flow rate (at 0.3 MPa): 16 l/min
- chrome-plated wall supports of plastic
- ACS 13 ACC NY 145, valide jusqu'au 06.05.2018

### consists of

- 2jet baton hand shower (#28532XXX)
- Metal effect shower hose 1.60 m (#28286XXX)

### Optional Accessoires

- Wall bar spacer for Unica'D wall bar (#96186XXX)

## Technology



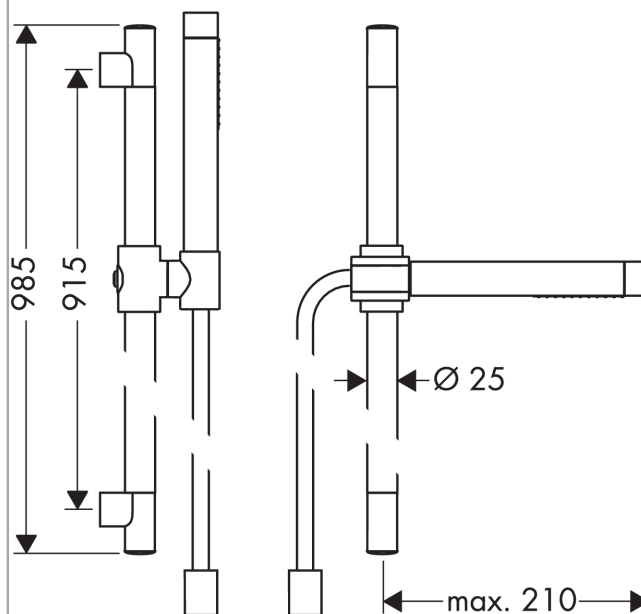
## Certificates



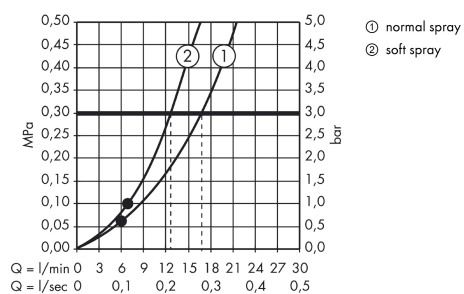
## Product image



## Scale drawing



## Flowchart

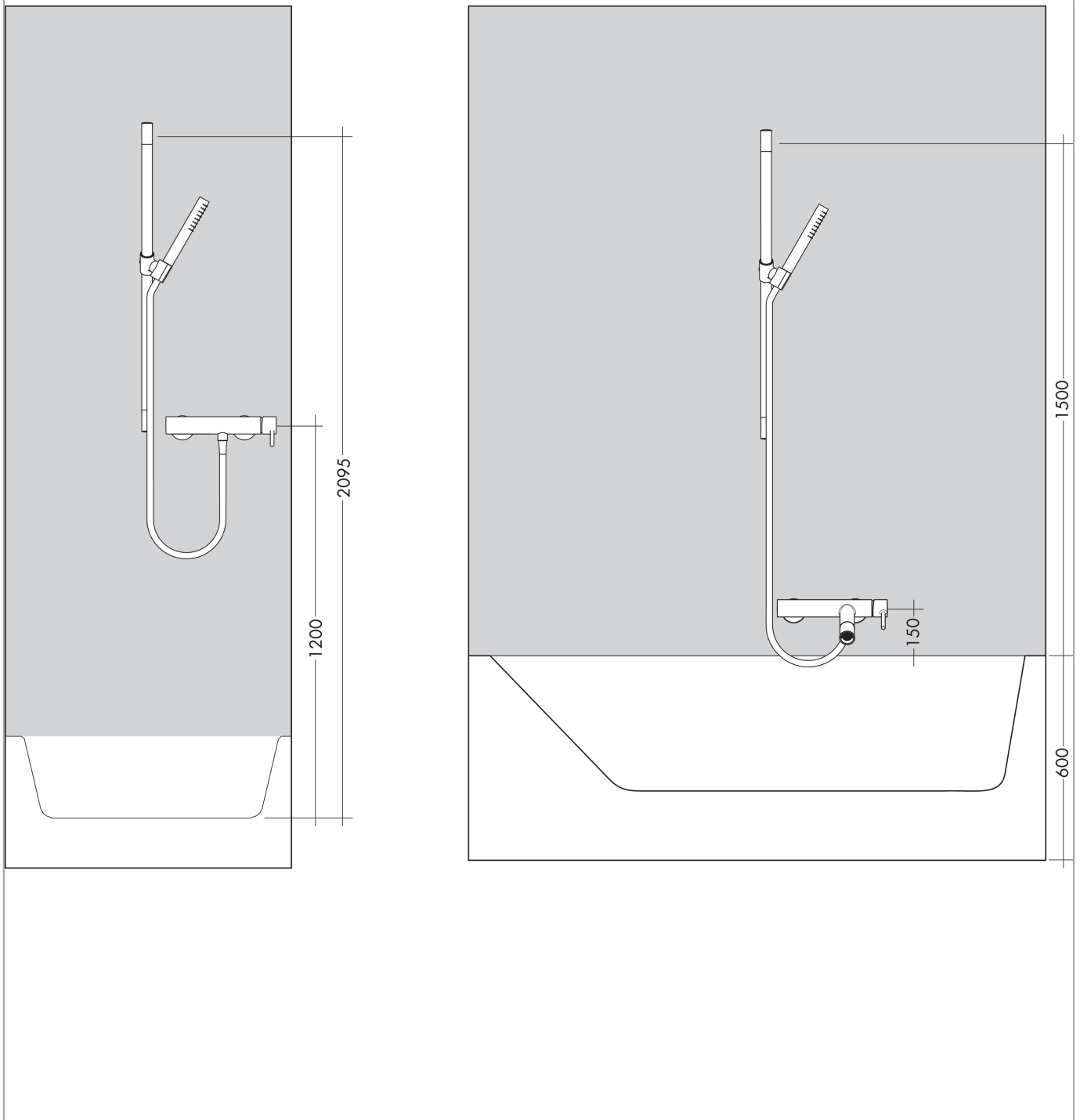


The consumption was measured in combination with the appropriate fittings (thermostat/mixer/in-wall valve) to reflect actual application in practice.

**Axor Starck**  
**Axor Starck shower set with 2jet baton hand shower**  
Surfaces: **chrome** Article Number: **27980000**



## Installation examples

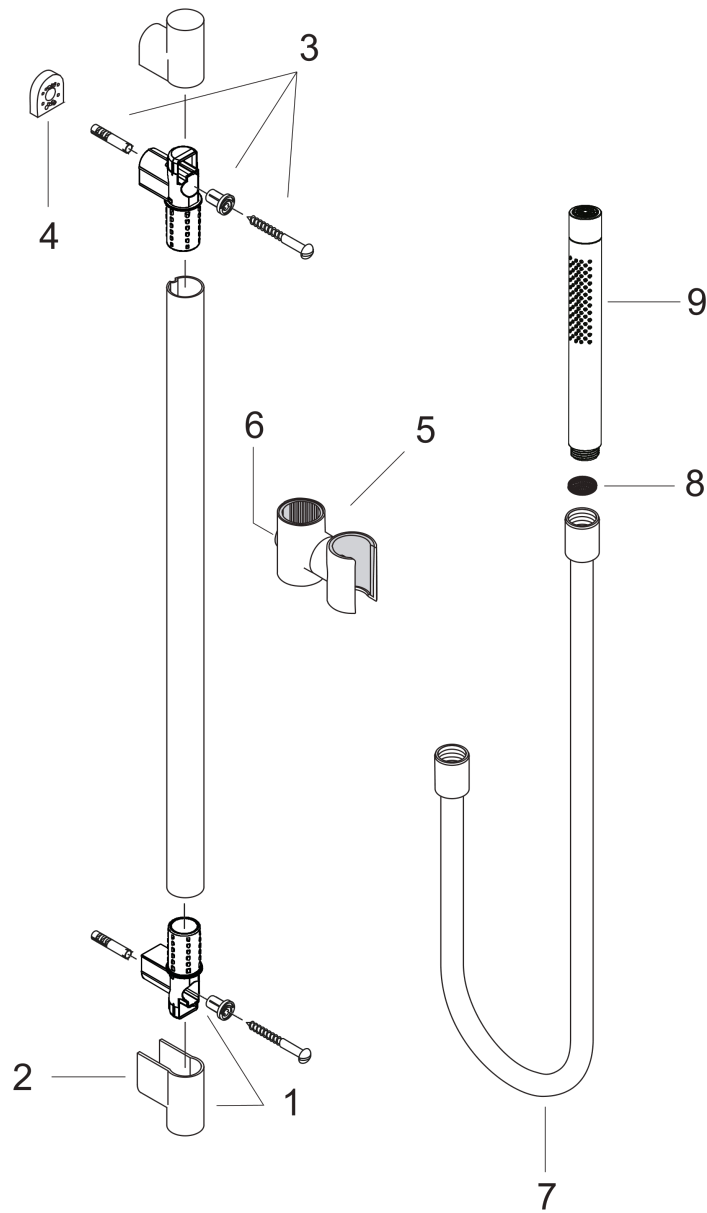


**Axor Starck**  
**Axor Starck shower set with 2jet baton hand shower**  
Surfaces: **chrome** Article Number: **27980000**



## Exploded Drawing

Year of production: >04/11



**Axor Starck**  
**Axor Starck shower set with 2jet baton hand shower**  
 Surfaces: **chrome** Article Number: **27980000**



## Spare part list

Year of production: >04/11

Pos.	Description	Article Number	PC	PU
1	wall support + cover	92110000	-	1
2	cover	94055000	-	1
3	mounting set	40915000	-	1
4	tile-matching-disk	96186000	-	1
5	shower holder, assy	96311000	-	1
6	screw	97535000	-	1
7	shower hose 1,60 m	28286000	-	1
8	filter packing	94246000	-	1
9	handshower	28532000	-	1