

## Axor Montreux

### Axor Montreux shower set

Surfaces: **chrome** Article Number: **27982000**



#### Description

##### product features

- spray type: RainAir
- shower head size: 100 mm
- support for shower hose with conical nuts
- Axor Montreux wall bar 0.90 m
- maximum flow rate (at 0.3 MPa): 16 l/min
- drilling distance 915 mm
- chrome-plated wall supports of metal
- ACS 13 ACC NY 145, valide jusqu'au 06.05.2018

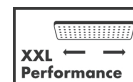
##### consists of

- 1jet hand shower (#16320XXX)
- Metal shower hose 1.60 m (#28116XXX)

##### Optional Accessoires

- Soap basket (#42066XXX)

#### Technology



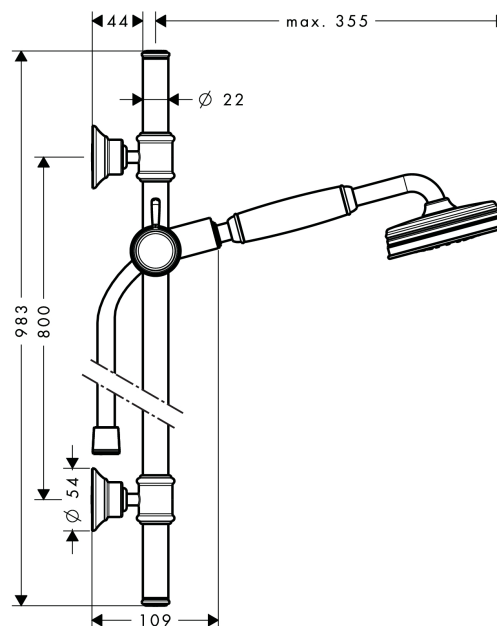
#### Certificates



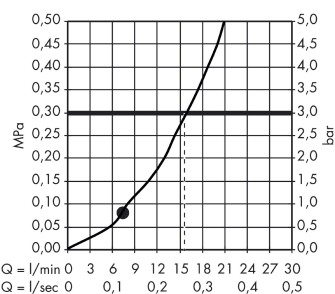
#### Product image



#### Scale drawing



#### Flowchart



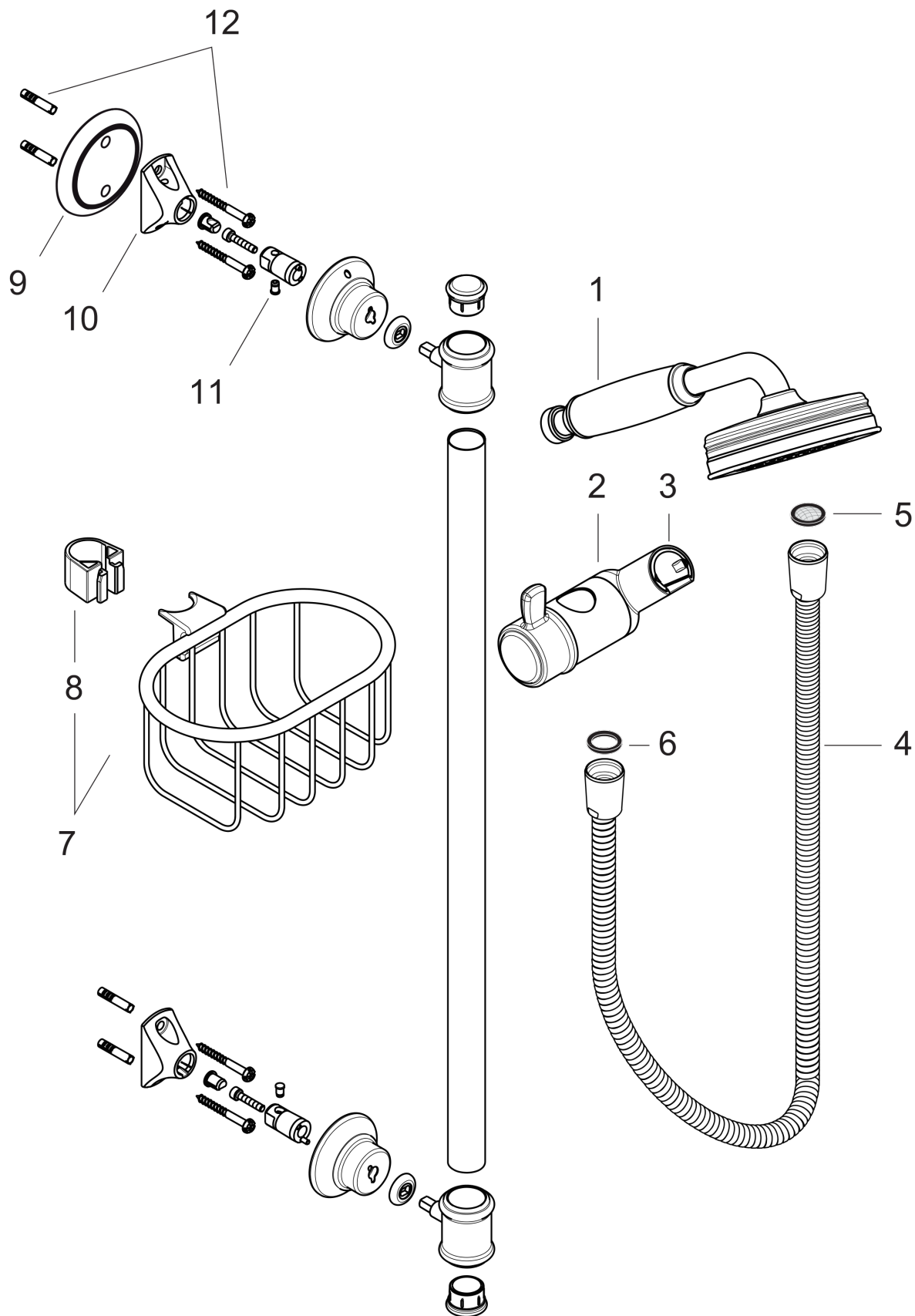
The consumption was measured in combination with the appropriate fittings (thermostat/mixer/in-wall valve) to reflect actual application in practice.

**Axor Montreux**  
**Axor Montreux shower set**  
Surfaces: **chrome** Article Number: **27982000**



## Exploded Drawing

Year of production: >04/06



**Axor Montreux**  
**Axor Montreux shower set**

Surfaces: **chrome** Article Number: **27982000**



## Spare part list

Year of production: >04/06

Pos.	Description	Article Number	PC	PU
1	handshower	16320000	-	1
2	support, assy	98723000	-	1
3	guide	98918000	-	1
4	shower hose 1,60 m	28116000	-	1
5	filter packing	94246000	-	1
6	seal	98058000	-	1
7	soap recess	42066000	-	1
8	clip for Casetta, Ø 22 mm	96189000	-	1
9	tile-matching-disk	95538000	-	1
10	support element	96341000	-	1
11	pin	97546000	-	1
12	mounting set	96179000	-	1