

**Croma 100**  
**Croma 100 Multi hand shower EcoSmart 9 l/min**  
 Surfaces: **chrome** Article Number: **28538000**



## Description

### product features

- shower head size: 100 mm
- spray type adjustment by turning spray disc
- spray type: Rain, Massage spray, Mono
- maximum flow rate (at 0.3 MPa): 9 l/min
- with internal water conduction
- rinseable dirt filter
- connection thread G ½
- connection dimension: DN15
- suitable for continuous flow water heaters
- SVGW 0706-5231
- DVGW NW-6517CM0350
- P-IX 18336/ID
- WELL ZD10457-20120502
- ACS 13 ACC NY 045, valide jusqu'au 05.03.2018
- WRAS 1205395
- Kiwa K6053\_Showers

## Technology



## Design awards



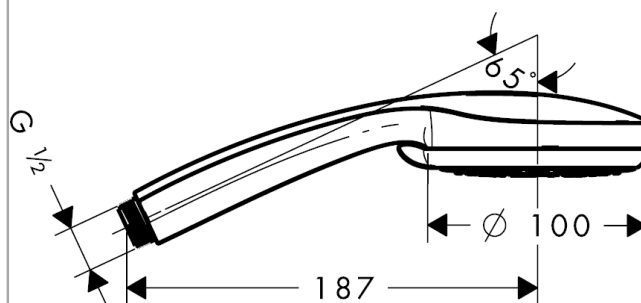
## Certificates



## Product image



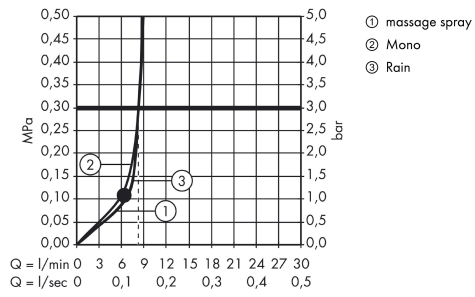
## Scale drawing



**Croma 100**  
**Croma 100 Multi hand shower EcoSmart 9 l/min**  
 Surfaces: **chrome**    Article Number: **28538000**



## Flowchart



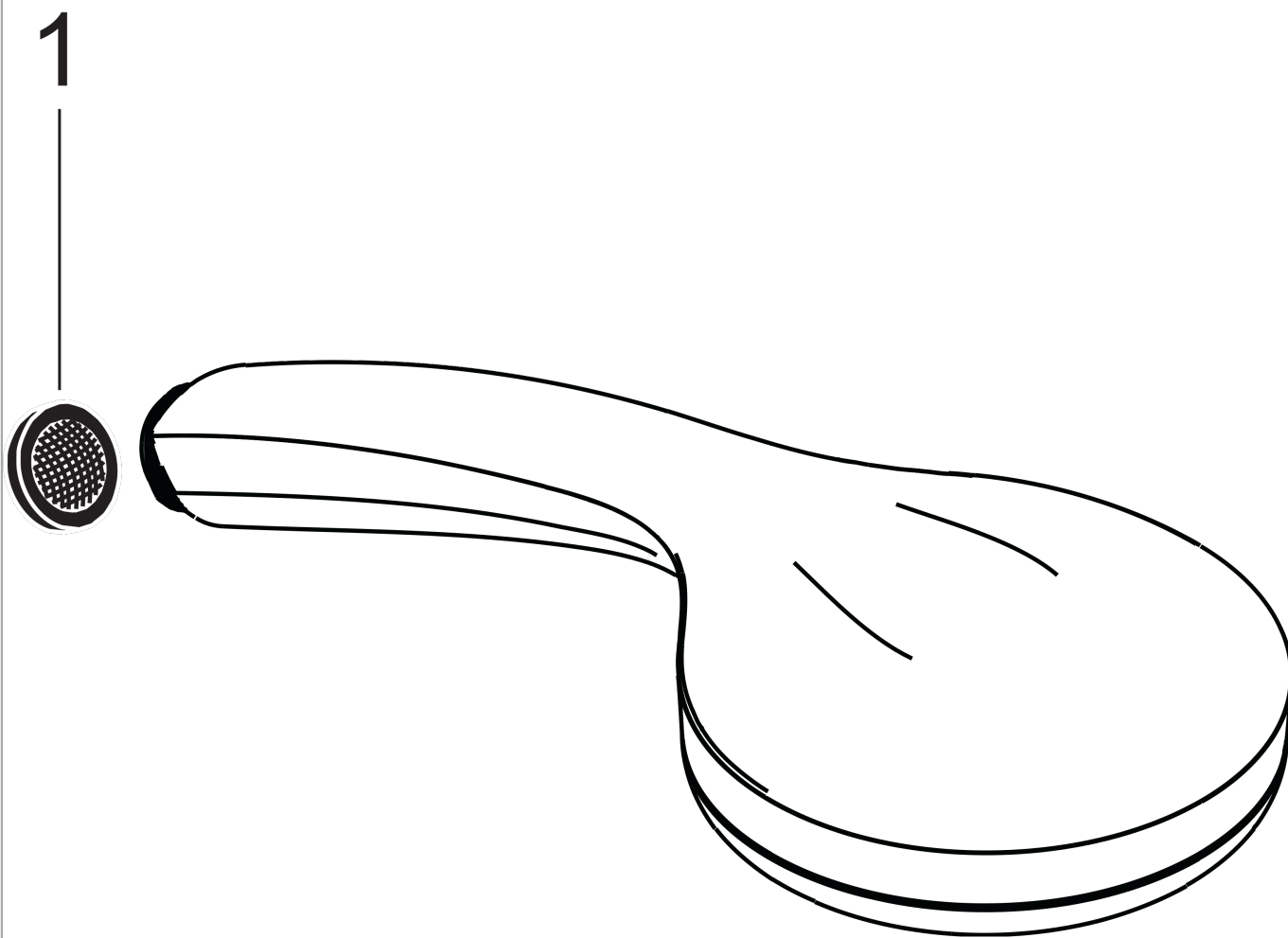
The consumption was measured in combination with the appropriate fittings (thermostat/mixer/in-wall valve) to reflect actual application in practice.

**Croma 100**  
**Croma 100 Multi hand shower EcoSmart 9 l/min**  
Surfaces: **chrome**    Article Number: **28538000**



## Exploded Drawing

Year of production: >08/10



**Croma 100**  
**Croma 100 Multi hand shower EcoSmart 9 l/min**  
Surfaces: **chrome** Article Number: **28538000**



## Spare part list

Year of production: >08/10

Pos.	Description	Article Number	PC	PU
1	filter packing	94246000	-	1